

ChinaCNCzone HY-3040 5 Axis CNC Mill for Sale

FREE TAX!!! to EU and RU!!!

1/ We will ship this machine to Moscow by Toanda from China, and transfer to you from Moscow by Russia local shipping company with door to door shipping way. The machine will be delivered to your home.

The delivery time is usually 20-40 days. and no tax fee by this way!

2/ Germany/ United Kingdom/ France/ Spain/ Italy/ Poland

Austria/ Belgium/ Czech Republic/ Denmark/ Lithuania/ Bulgaria/ Estonia/ Greece/ Romania/ Slovenia/ Croatia/ Luxembourg/ Finland/ Ireland/ Portugal/ Sweden

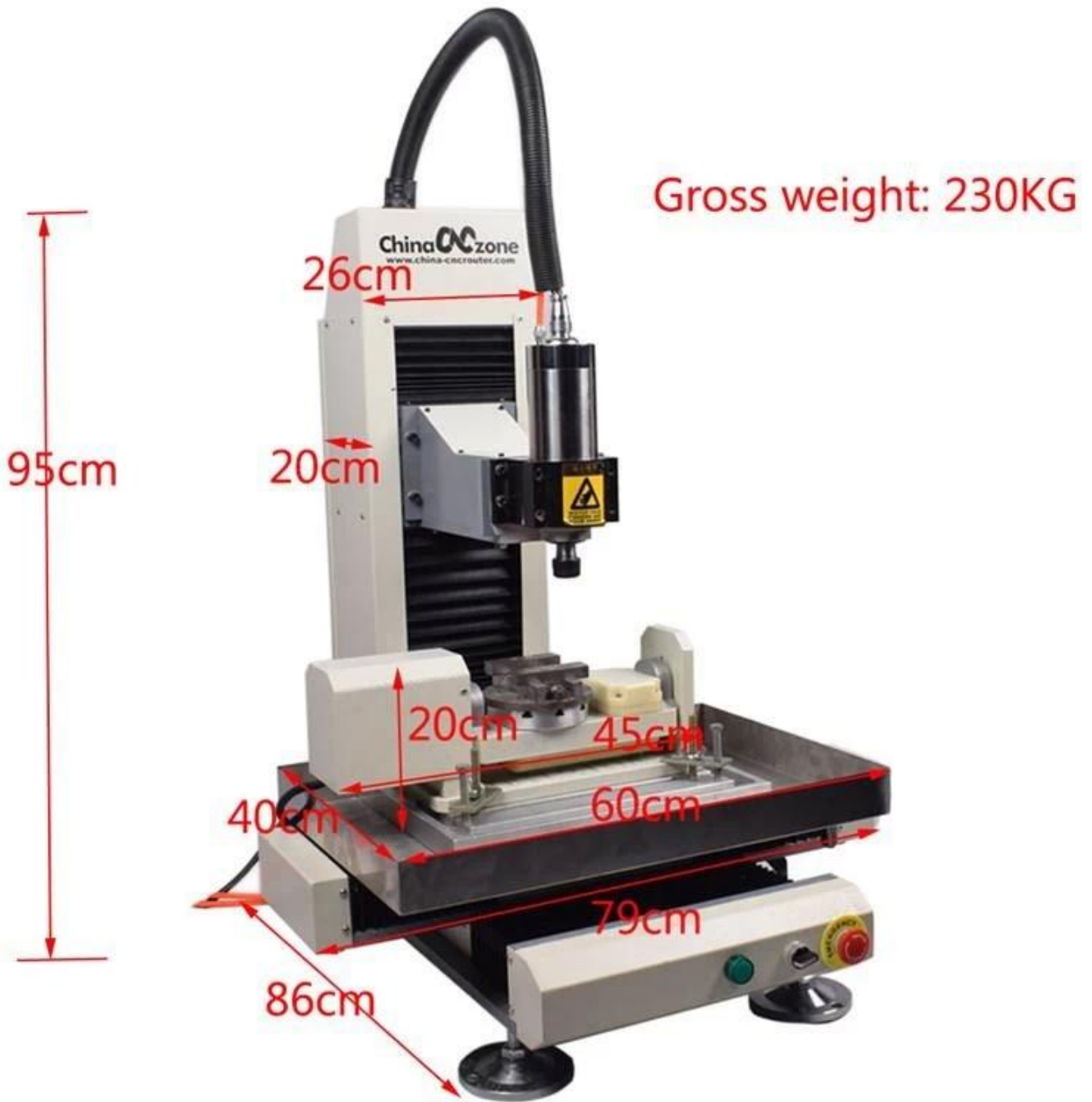
All above country buyers free tax!!! we will ship by train to Poland, and transfer to your door by EU local shipping.

Higher precision:

- Heavier steel structure
- XHC control board
- 2200w water-cooled spindle
- Ball screw
- Integrated high-speed micro computer intelligent control chip.
- First STEEL STRUCTURE CNC3040 5 axis in the Market
- Mach 3 software, supports Win10
- Built in frequency converter and without controller box
- Applicable to steel, aluminum, brass, copper, stone, granite etc.

You can buy this machine from us without any worry:

- CE approved.
- Video support.
- English manual available.
- Mach 3 software sent with the machine as a CD.
- Can engrave material with hardness below 45.
- From reliable & trustworthy professional China CNC Router manufacturer





ChangSheng Water Cooling Spindle

AB shaft adopts Japanese Harmonic reducer

Machine model: Steel structure 3040 5axis



Material: 304# stainless steel

Rough process: End mill: $\phi 6$, RPM:8500, Feed:1500mmpm, Zaxis each time cut:0.15mm

Rough process: End mill: $\phi 4$, RPM:8500, Feed:1500mmpm, Zaxis each time cut:0.15mm

Rough process: End mill: $\phi 2$, RPM:10000, Feed:1500mmpm, Zaxis each time cut:0.1mm

Milling process: Ball mill: R2, RPM:10000, Feed:2500mmpm

Milling process: Flat mill: 45° , RPM:12000, Feed:800mmpm



Before



After

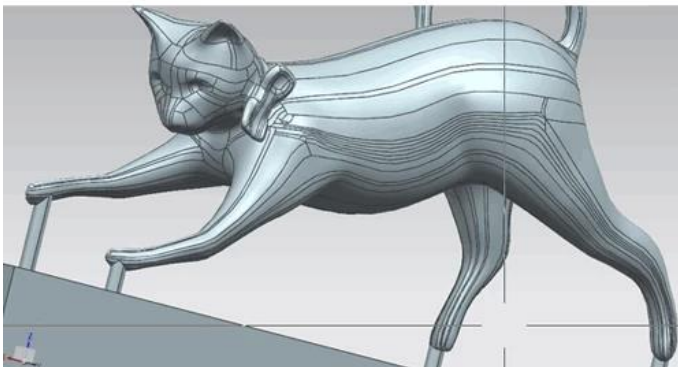
Machine model: Steel structure 3040 5axis



Material: Metal lead

Rough process: End mill: $\phi 6$, RPM:12000, Feed:1200mmpm, Zaxis each time cut:0.3mm

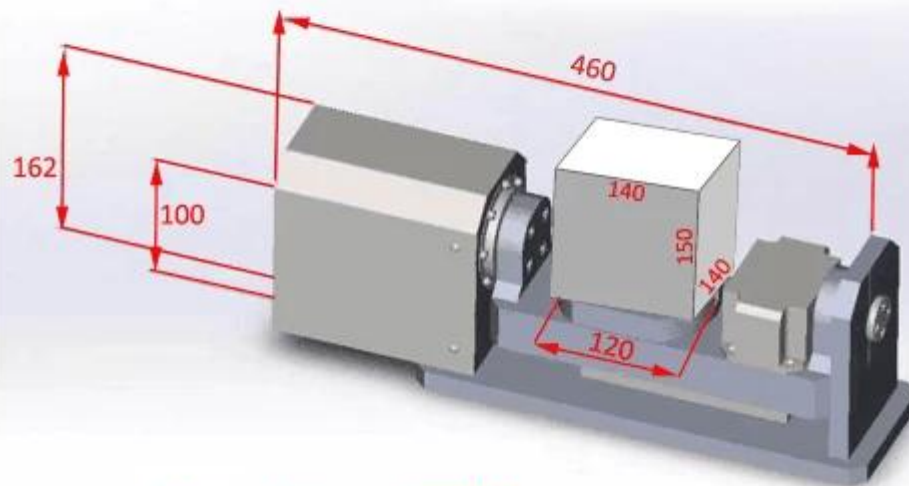
Milling process: Ball mill: R2, RPM:12000, Feed:2000mmpm, Zaxis each time cut:0.05mm



3D model



Finished work



X Axis working area : 400MM

Y Axis working area : 300MM

Z Axis working area : 250MM

5th axis Max Acceptable size is 140X140X150MM



Q&A:

1/ It is said that 5 axis programming is complicated, what can I do if I don't know how to program 5 axis code?

We have experienced 5 axis technician to help you with designing. We offer paid service for 5 axis programming

2/ What is the accuracy of this machine?
0.05mm

3/ What is the maximum piece the machine can process?
155*155*105mm

4/ If I bought this machine, where could I learn the software?

We offer mach3 and NX/UG post processor

5/ What kind of service do you provide?

We offer remote control service during China work time

After-sales service process :

1/ After-sales service contains:

- a. Machine installation and adjustment
- b. Software Settings and using (not include G code programming)
- c. Machine quality problem
- d. the machine using problem

2/ When the machine have problem:

- a. Machine problem pictures or video is asked.
- b. General problem solve way will be supplied in 1~2 days,
Complex problem solve way will be supplied in 2~3 days.

3/ General problem solve way: (Machine warranty is 1 year, Cutters don't have warranty, they are consumables)

- a. Machine operation and installation problem, we will supply video or pictures to show you.
- b. Machine quality problem, machine parts will be resented free

Company Information

why?

CHOOSE US

Reliable manufacturer

Over 10-year CNC experience

5 axis technical support

NX post processor provided

First USB connection mini 5 axis machine in the Market

Real simultaneous 5 axis motion

ChinaCNCzone

Engineer Guo

Senior Engineer

10-year CNC operating experience

Skilled at Artcam, Powermill, UG/NX, MasterCAM

Skilled at Mitsubishi, Funac, Syntec, Siemens, Mach3,

USBCNC control software

Unique idea to improve metal processing precision



ChinaCNCzone

Engineer Zhu

Senior Engineer

8-year CNC operating experience

Skilled at Artcam, Powermill, UG/NX etc.

Skilled at Mach3,

USBCNC control software etc.

Unique perception of wood engraving



Our factory



