

dsp [cnc 6040](#) 0000 00 1500w/2 200w 00 00 0 00 00 00 00 0000 00 00:

1. 1500w/2 200w 0 0000 0 0 00 00 00
2. 0000 0000 00 3 00 0 0 0000 4 00, 3 00 0 [cnc](#) 00 000000 0 000000 4 00 0000 00 00 0000 0 4 0 000000.
3. z 0 00000 00 0000 105mm 0 0, 00 0000 145mm 0 0000000.
4. dsp 00 0 0000, 00000 00 00 00 00.
5. 0 00 00 0000.
6. 00 0000 00 00000 00 00, 00 00 00000 00000.
7. 00 0 00000 00 000000.
8. 00 00 00.
10. 0000 00 0000, 00 00, 00, 00000, pcb etc 00 0 00000.
11. 00 0 00: 80mm
13. 0-0000 0000.
14. 00 00000 00 [cnc](#) 0000 00000.
15. mach3 00000000 0000 0000 00000. 00 tf sd 0000, 00 00 00 00 g-0000 00 0000.

0 0000 00 00000 00?

0000 00 00 00 0 0 0000 0000 0 00000.

00 00 00 00 00000. 00

00 00 00 0000 00 0 00000

0000 0000 0000 0000 0000 00 0 0 00000.

dsp 00 0 0000 0000 00 00?

1. 00000 dsp 0000 00 dsp 00 0 0000, 00 cnc 0000 0000 00 0000 0 00000.
2. 0000 sd 0000 g 0000 0 00 00, 0000 dsp 00 0 0000 tf 00 0000 tf 0000 0000 0000 0 00, 0 00 g 0000 00 0000,
3. g-00 0000 00 0000 0 00000, 00, dsp 000000 00000 00 00 0000.
4. 00 0000 00 00 0 0 00 0 00 00.
5. dsp 00 0 0000 00 00 cnc 00, mach3 00000000 0 00 00 00 00 00 00 00000.

00: 0000 00 0000 0000 00 00000, 0000 [intrested](#) 0 00000::

0. [3 usb cnc 6040 3 0 1500w 200w](#) 00 00 0 00

b. [cnc 6040](#) 0000 0000 00 00000 0 00 00 00.

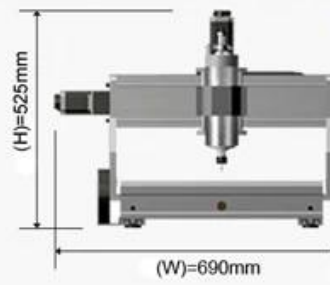
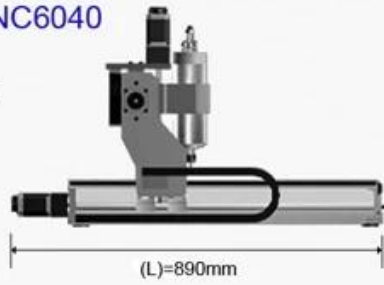
c. [0000 cnc 6040](#) 00 0 0000 00000 000000?

最大速度	最大速度 1.5 k w 最大速度 24, 000rpm
主轴规格	ER11/3.175 mm/6mm
主轴精度	0.05 mm
主轴精度	主轴精度 acupressure 0.03 mm
支持格式	g 代码/nc 代码/ncc 代码/dxf 代码/iso 代码
接口	usb 接口
操作系统	windows xp/win7/win10
进给速度	0-4000mm/min
进给速度	0-2500mm/min (最大进给速度)
电机	步进电机 + pwm 控制 + TB6560 3 轴驱动
接口	usb 接口
精度	g 代码
控制软件	Mach3, 步进 cnc
电压	110v/220v
重量 (不含底座)	3 轴 82 kg, 4 轴 85mm
尺寸	尺寸: 122 * 86 * 83

Model: CNC6040

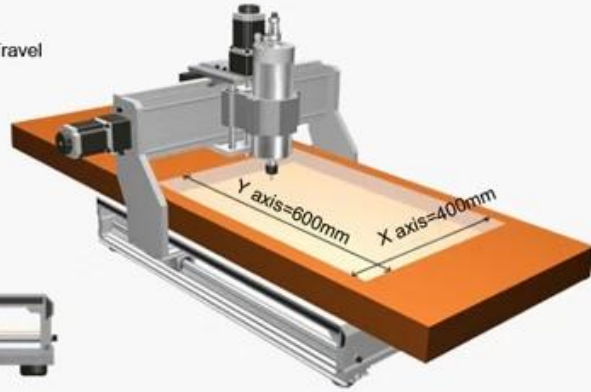
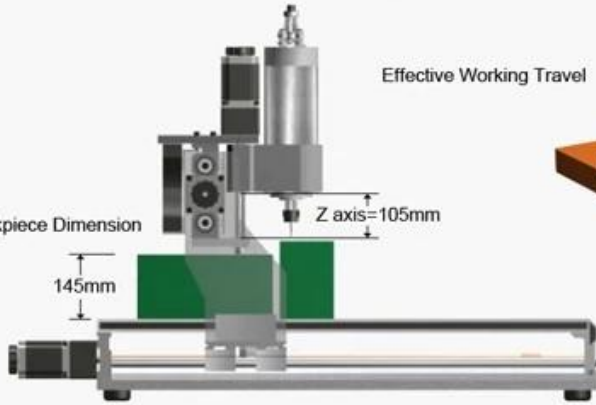


Shape Dimension



Effective Working Travel

Max. Workpiece Dimension







Type 2 controller

TF/microsd card slot
data transfer

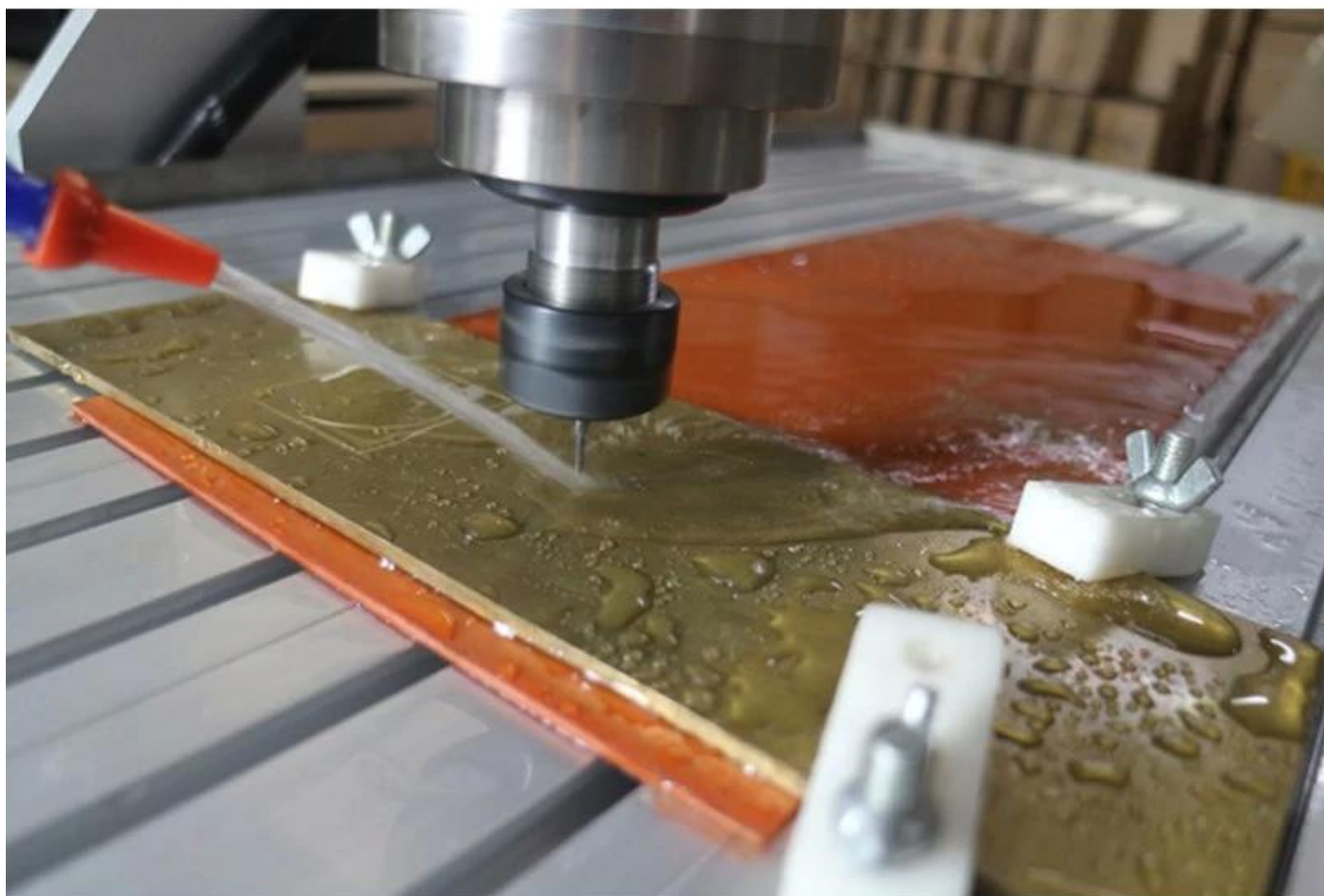
Front



Back





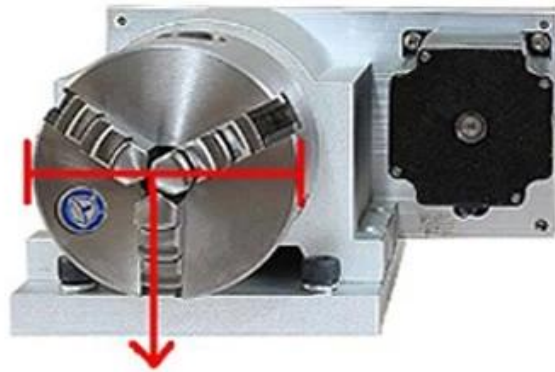




Ball screw high precision



New Model



80mm



65mm

Rotation Axis



04 Applications

ChinaCCzone

□ Mach3 usb cnc 6040 3 □ 4 □ □□ cnc □□□ □□ □□ □ □□□□ □□□ □□:

□. □□□□ □□ □□□ □□ □□□, □□ □□, □□, pvc, pcb□ □□ □□ □□ □□ etc□.

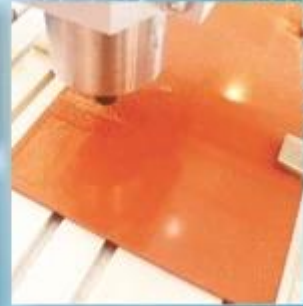
b. □□, □□, □□□ □ □□□□ □□□□□□.

c. □□□ □□, □□ □□, □□ □□□, □□ □□, □□□, □□ □□□□ □ □□ □□, □□ □□ □□□, □□ □□□, □□, □□□, □□□ □□, rc □□ □□



www.chinacnczone.com

Live Demo



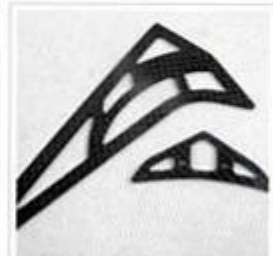
PVC



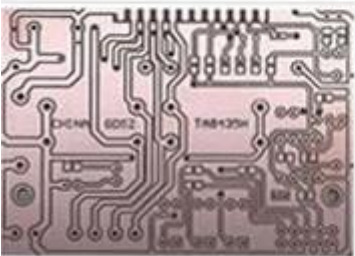
DOUBLE COLOR BOARDS



WOOD



CARBON FIBER REINFORCED PLASTICS PLATE



PCB



WAX



DOUBLE COLOR BOARDS



EPOXY TOOLING BOARD







QA Inspection Area



Mechanical Assembly Area



Machine Commissioning Area



Finish Products Area



Packaging Area



Always be imitated, never be surmounted.

We all use well-designed professional aluminum to manufacture the machine. Almost all of the structural member are extruded by a dedicated mold. The production of large quantities so that we have a strong price competitiveness. Professional mold and materials so that our quality has been stable protection.





SHENZHEN SCOTLE TECHNOLOGY GROUP LIMITED

ChinaCNCzone, engrave your colorful life!

客户合影及公司文化 Customers and Company Culture

