

## **CNC Router 6040 DIY 4 Axis CNC Milling Machine from ChinaCNCzone**

Effective working travel **580(X)mm\*400(Y)mm\*105(Z)mm**

Shape dimension **880\*670\*640mm**

Max.workpiece dimension **750mm\*450mm<150mm**

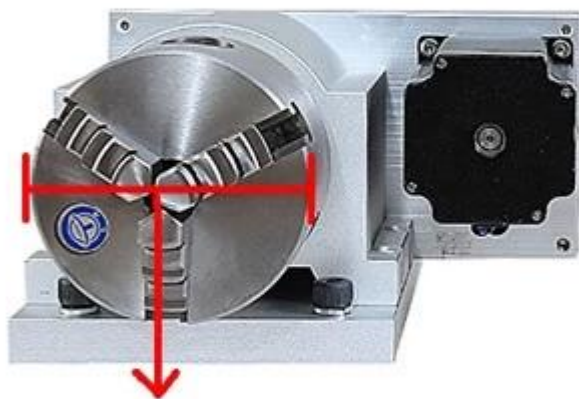
Work table dimension **750mm\*480mm**

acceptable material thickness **≤150mm**

### **Outstanding features as below**

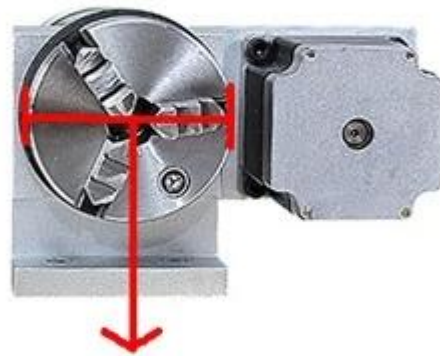
1. **1500w / 2200w Water Cooled Spindle for selection**
2. 4th axis can be Plug-and play, no need to replace controller box.
3. Technical support always available with live video support.
4. Ball screw high precision.
5. Independent power supply for mainboard, prolong using life.
6. **Software: compatible with Mach3 or USB CNC software.**
7. Limited switch added.
8. Auto-Checking function, easy to set origin of Z axis.
9. **The 4th axis is updated, the centre-height is 65mm and clamping diameter is 80mm.**

## **New Version**

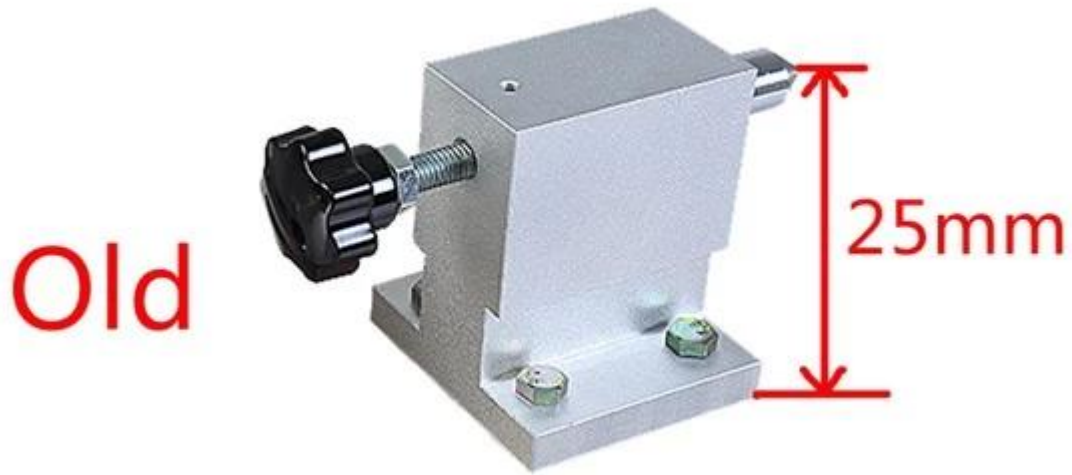


**80mm**

## **Old Version**



**50mm**



ChinaCNCzone 4 Axis CNC Router 6040  
for **Sculpture Round Carving**



10. Can be connected with computer and notebook by USB interface parallel port for computer.

11. Can engrave material such acrylic, brass, wood, aluminum, PCB and so on.

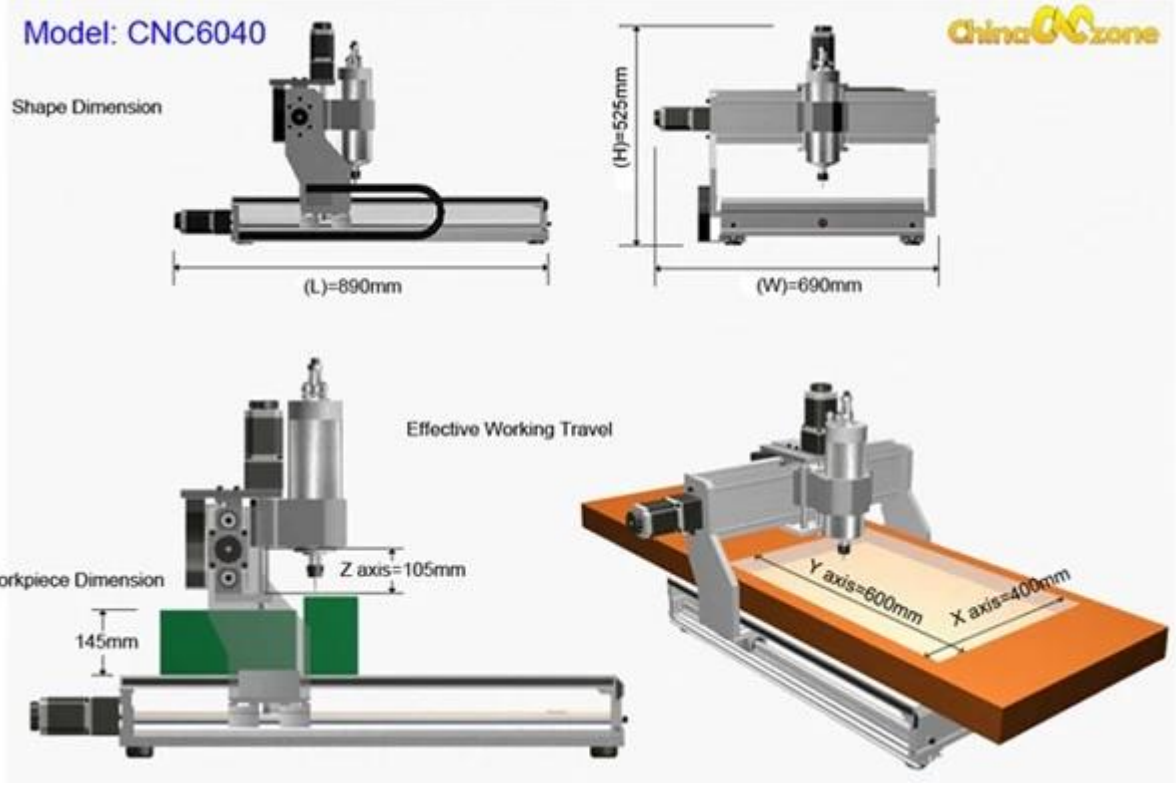
12. Spindle diameter: 80mm

13. Can ship from our overseas warehouse.

14. From professional China [mini cnc](#) router factory.

P.S: **Original Mach3 soft available**

**What is the dimension for this CNC Router 6040 4 Axis?**



What is the new for the Z axis for this CNC 6040 4 Axis new model?

***New Model***

***Old Model***



***Z-axis maximum acceptable 105mm***

***Z-axis maximum acceptable 65mm***

Note: You may also intrested in below, just click below link::

A. [The comparisons of CNC 6040 made by ChinaCNCzone and Other suppliers.](#)

B. [What are the differences between ChinaCNCzone NEW CNC 6040 and Old Version](#)



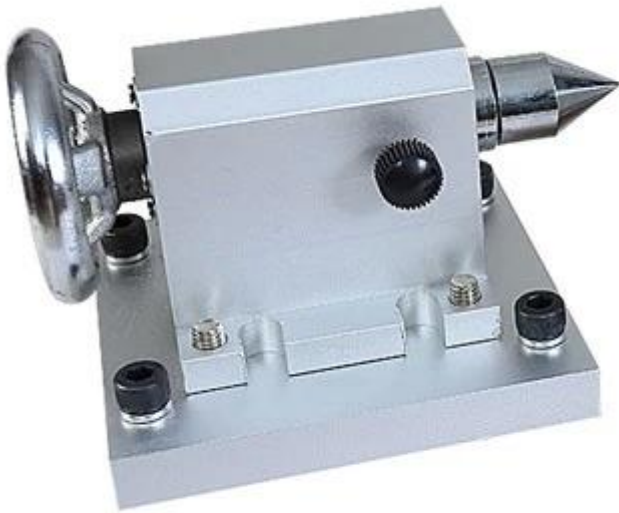
## 02 Parameters China zone

□□

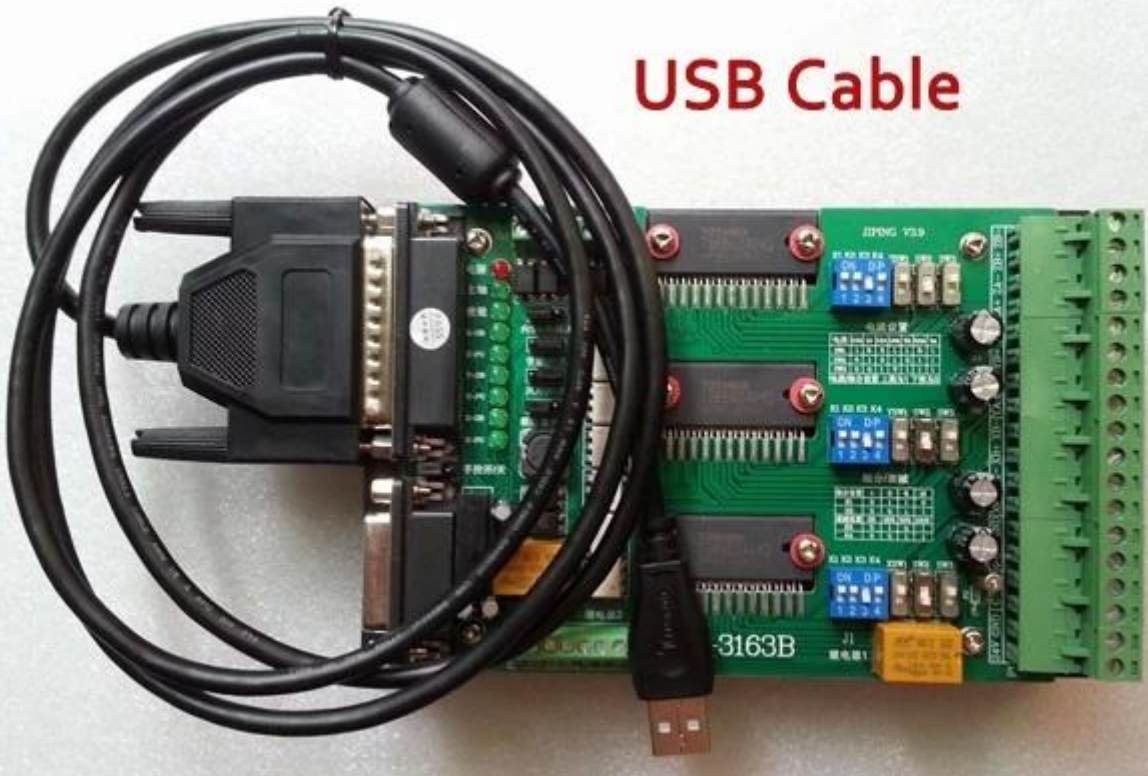
CNC Router 6040 4 Axis Parameters		
Effective working travel	580(X)mm*400(Y)mm*105(Z)mm	
Shape dimension	880*670*640mm	
Max.workpiece dimension	750mm*450mm<150mm	
Work table dimension	750mm*480mm	
Frame materials	aluminum alloy 6063 and 6061 the unique and dedicated mold extrusion profiles. let counterfeiter dwarfs	
acceptable material thickness	≤150mm	
Driving units	X axis	1605 ballscrew
	Y axis	1605 ballscrew
	Z axis	1605 ballscrew
Sliding units	X axis	Dia.16mm chrome plate shafts
	Y axis	Dia.20mm chrome plate shafts
	Z axis	Dia.13mm chrome plate shafts

Stepping motor type	57 two-phase 3A 150N.cm
Spindle motor	brand new 1.5KW water cooling spindle, 24000RPM
Principal axis collet	ER11/3.175 mm/6mm
Repeat accuracy	0.05mm
Spindle precision	radial beat acuities 0.03 mm
Carving Instructions	G code/TAB files/nc file/NCC files/DXF file/GERBER file
Communication interface	through parallel and USB connection with computer
Software environment	Windows xp/Win7/Win8/Win10
Maximum speed	0-4000mm/min
Carving speed	0-2500mm/min (different materials differ)
Control unit	Toroidal transformer + PWM power supply module + TB6560 3axis drive board
Computer connection	parallel port/USB port
Command code	G code
Acceptable software	Mach3,USBCNC
Protection	Emergency stop button
Operating Voltage	AC110V/AC220V
Machine weight (Package weight)	3 axis 57kg 4 axis 60KG
package dimension	top□62*49*52cm Bot:80*22*63cm
The 4th axis parameter	
size	220(L)*116(W)*105(H)mm
centre-height	65mm
clamping diameter	80mm
reduction ratio	1:3





**USB Cable**







*Ball screw high precision*

## 04 Applications

ChinaCNCzone

This CNC Router 6040 DIY 4 Axis CNC Milling Machine from ChinaCNCzone

A. Widely used not only for Aluminum but also acrylic, brass, wood, PVC, PCB and so on.

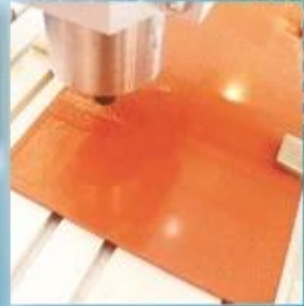
B. Ideal for milling, engraving, drilling & routing.

C. For Industry, Technology Research, Advertising Design, Arts Creation, Teaching, Student Project and Hobby Purposes, Building Model Making, Advertising Signs, Artwork, Crafts, Aircraft Models, RC Model parts



[www.chinacnczone.com](http://www.chinacnczone.com)

# Live Demo



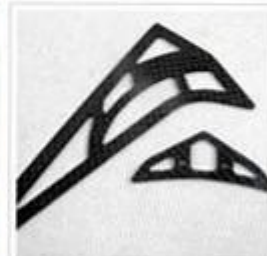
PVC



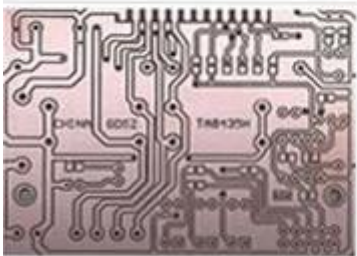
DOUBLE COLOR BOARDS



WOOD



CARBON FIBER REINFORCED PLASTICS PLATE



PCB



WAX



DOUBLE COLOR BOARDS



EPOXY TOOLING BOARD







**QA Inspection Area**



**Mechanical Assembly Area**



**Machine Commissioning Area**



**Finish Products Area**



**Packaging Area**



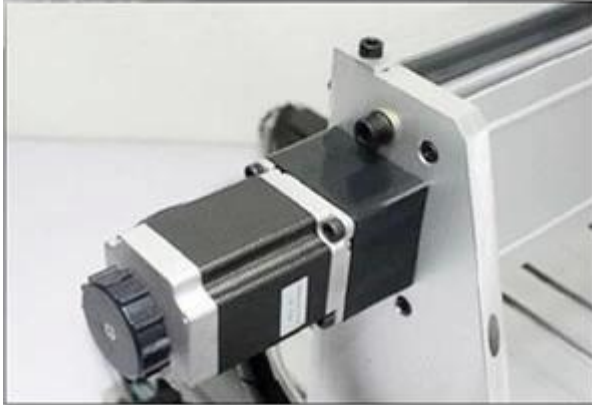
**06**

**Certifications**

**China CCzone**

Always be imitated, never be surmounted.

We all use well-designed professional aluminum to manufacture the machine. Almost all of the structural member are extruded by a dedicated mold. The production of large quantities so that we have a strong price competitiveness. Professional mold and materials so that our quality has been stable protection.





# SHENZHEN SCOTLE TECHNOLOGY GROUP LIMITED

ChinaCNCzone, engrave your colorful life!

## 客户合影及公司文化 Customers and Company Culture

