

chinaCNCzone [cnc 6040](#) 3 axis cnc machine:

- 1. 1500w/2200w spindle
- 2. 3 axis cnc machine, 4 axis cnc machine, 4 axis ChinaCNCzone 4 axis cnc machine
- 3. z axis travel 105mm, x axis travel 145mm
- 4. usb cnc control (usb cnc control software) mach3 usb cnc control
- 5. ...
- 6. ...
- 7. ...
- 8. ...
- 9. mach3 software
- 10. 3 axis usb cnc machine
- 11. pcb board
- 12. 80mm
- 14. ...
- 15. [cnc](#) machine.

...?
 ...
 ...
 ...
 ...

- a. interested in:
- b. [ChinaCNCzone](#) 3 axis cnc 6040 3 1500w 2200w
- c. [ChinaCNCzone](#) cnc 6040



02 Parameters China zone

□□

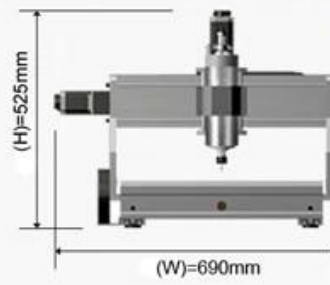
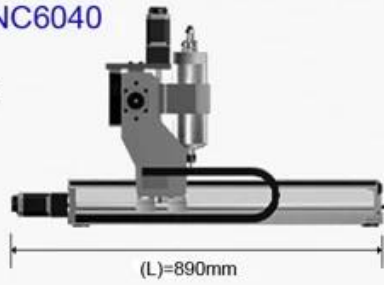
mach3 usb cnc 6040 3 轴4轴 cnc 数控系统		
行程	580 (x) mm * 400 (y) mm * 105 (z) mm	
尺寸	880 * 670 * 640	
重量	750mm * 450 重量 < 150mm	
占地面积	750mm * 480mm	
配置	配置系统6063铝6061铝系统 系统 系统	
精度	≤145	
行程	x 轴	1605mm
	y 轴	1605mm
	z 轴	1605mm
主轴	x 轴	φ16mm 系统
	y 轴	φ20mm 系统
	z 轴	φ13mm 系统
功率	57 2-3a 150N.cm	

电动机功率	1.5 kw 24000rpm
轴径	er11/3.175 mm/6mm
轴长	0.05 mm
轴孔	0.03 mm
接口	g 代码/nc 代码/dxf 代码
控制方式	usb 控制
操作系统	windows xp/win7 /windows7 /win10
行程	0-4000mm/轴
行程	0-2500mm/轴 (工作台)
驱动方式	步进电机 + pwm 驱动 + TB6560 3 轴驱动
接口	usb 接口
精度	g 级
控制软件	mach3/usbnc
电压	24v
电源	ac110v/ac220v
重量 (工作台)	3/82KG/4/85kg
尺寸	122 * 86 * 83

Model: CNC6040

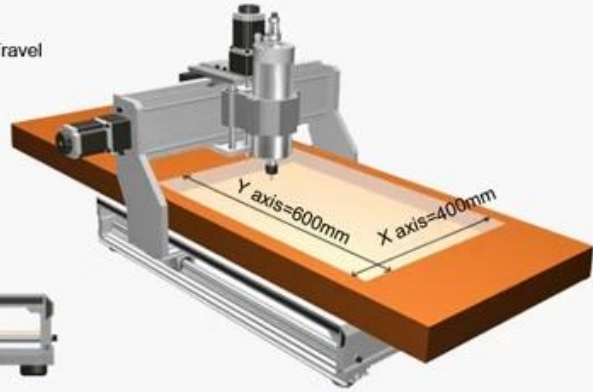
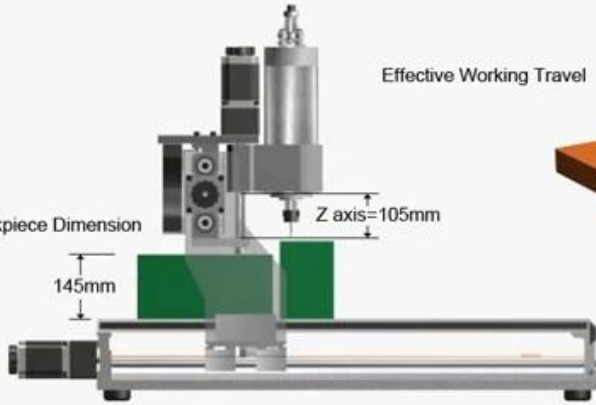


Shape Dimension



Effective Working Travel

Max. Workpiece Dimension

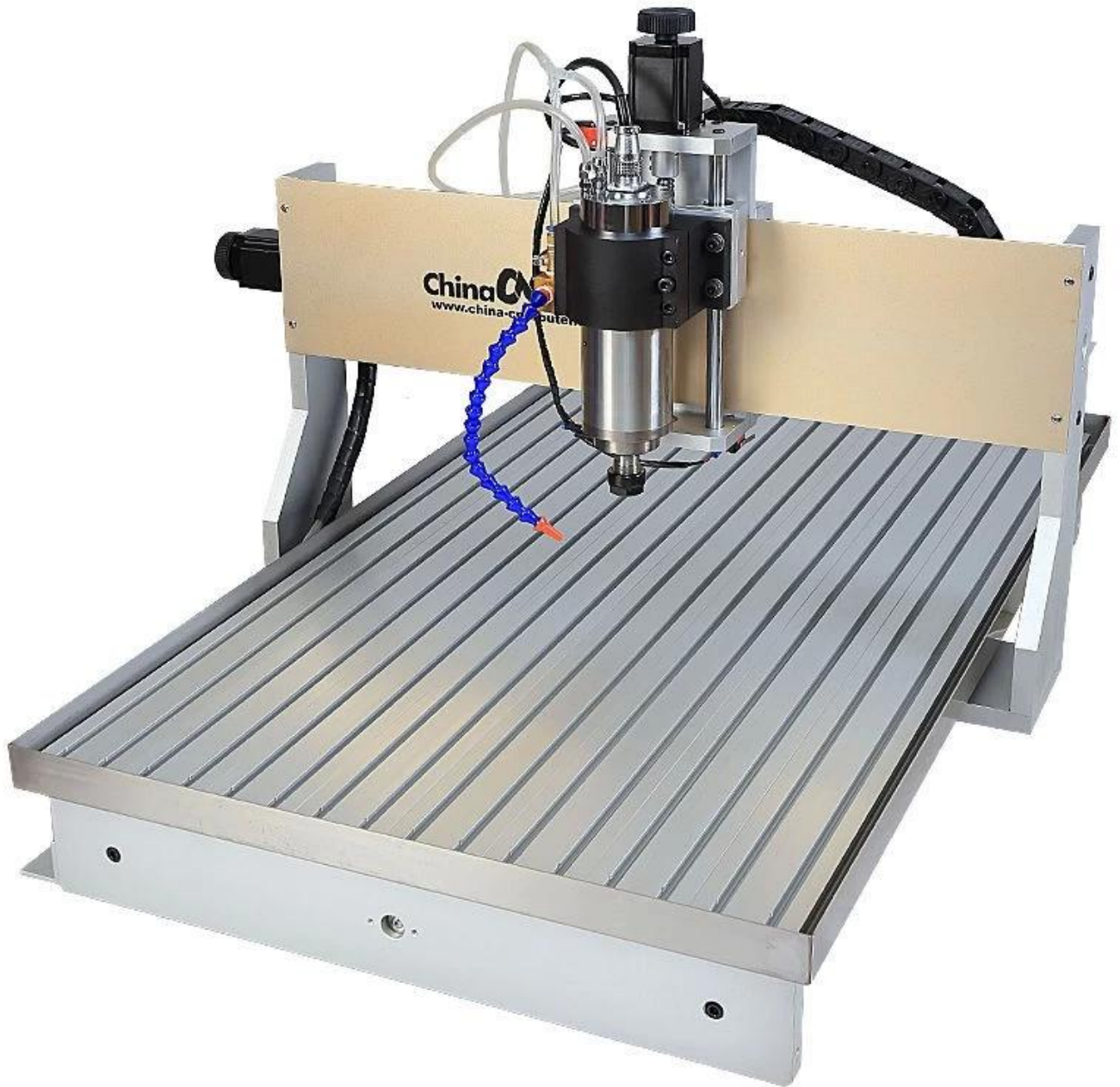




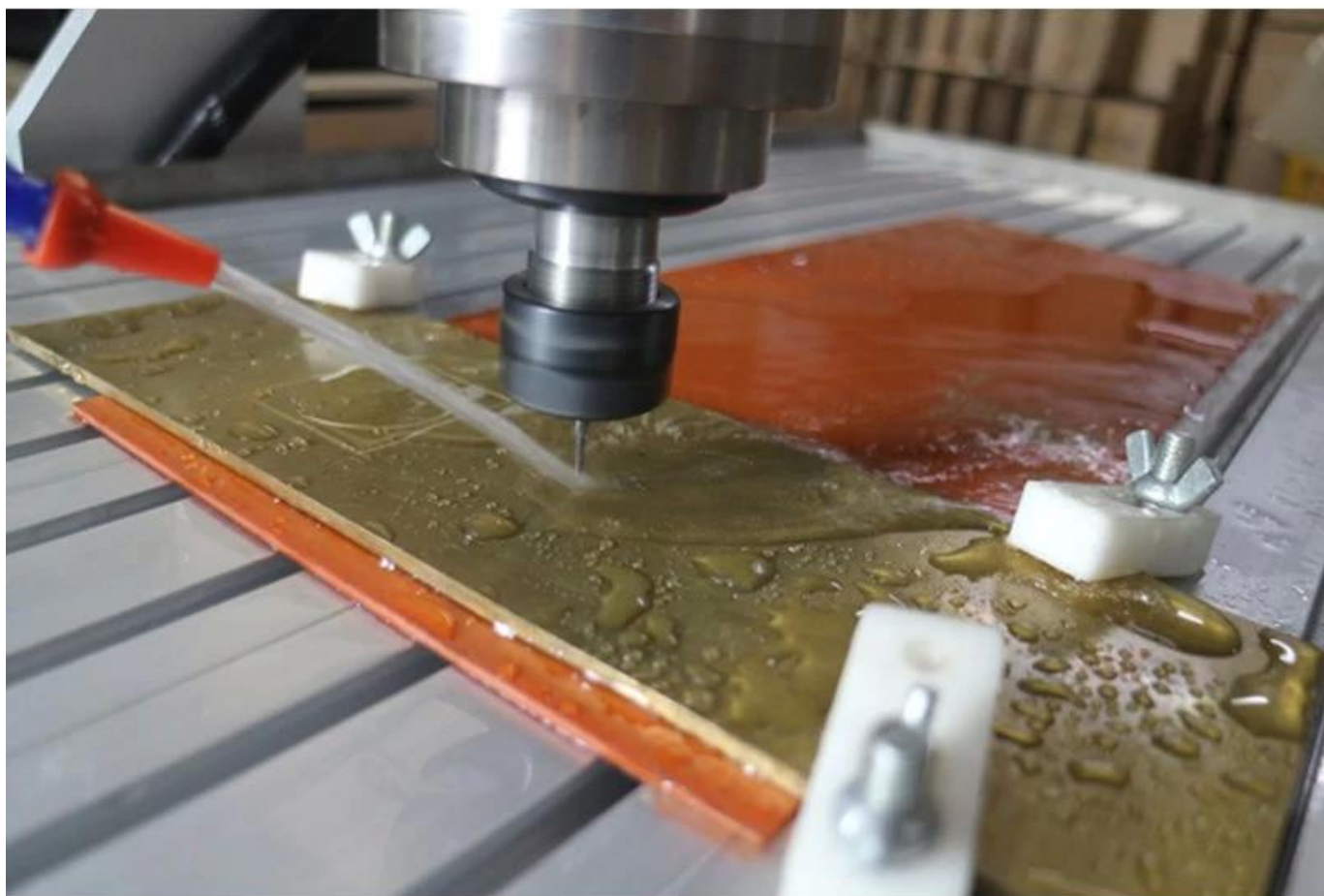










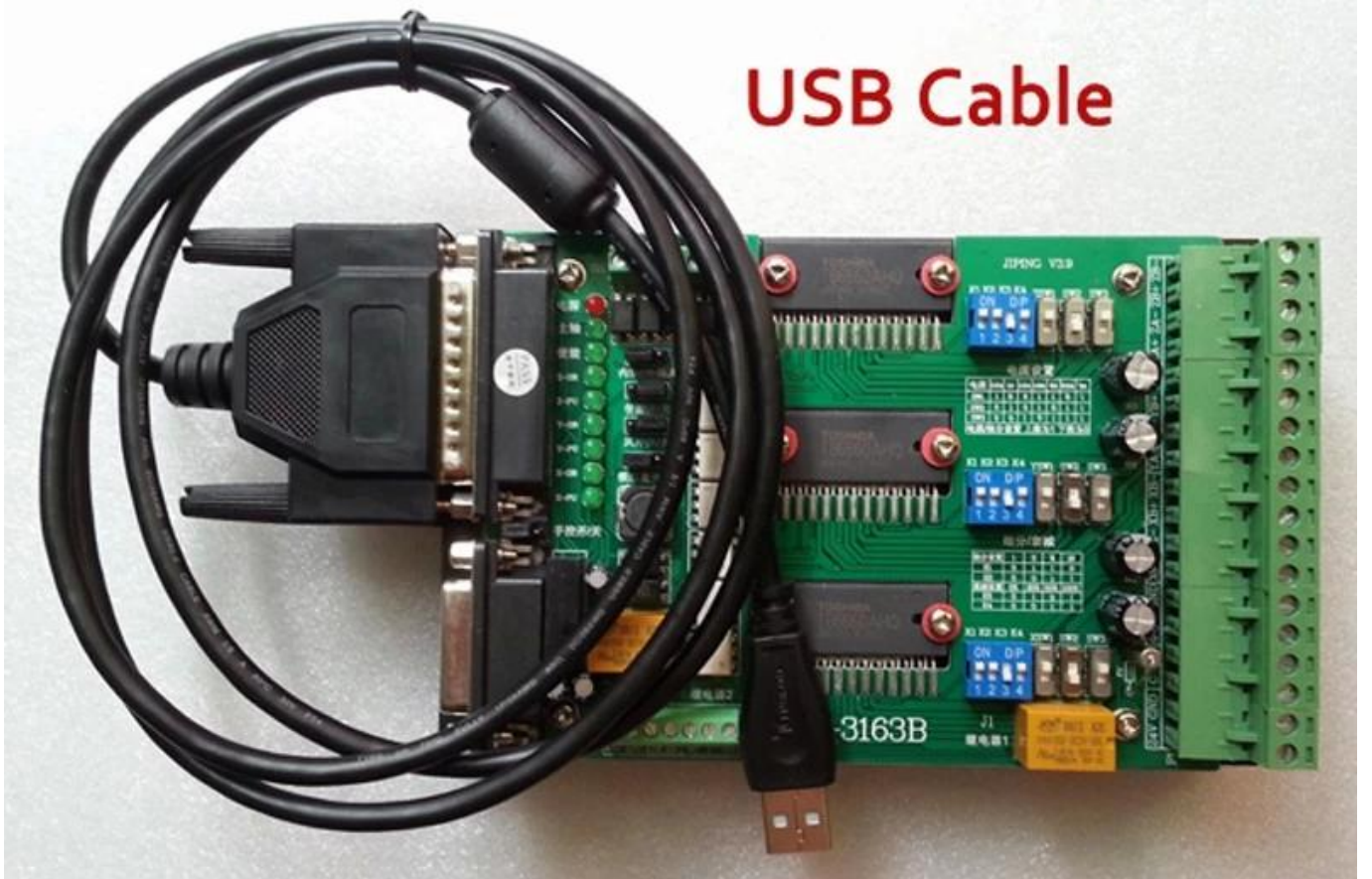




Ball screw high precision



USB Cable



Type 1 controller

Front



Back



parallel port +

USB CNC cable (option)



Type 3 controller

Front



Back

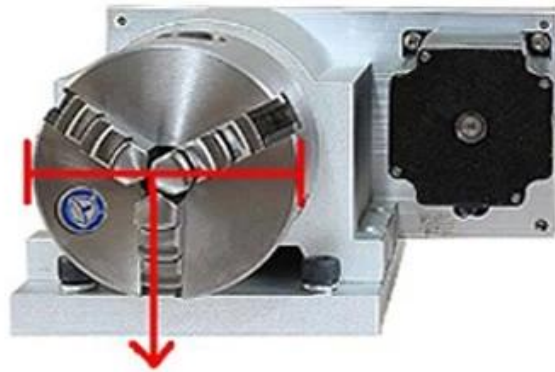


+

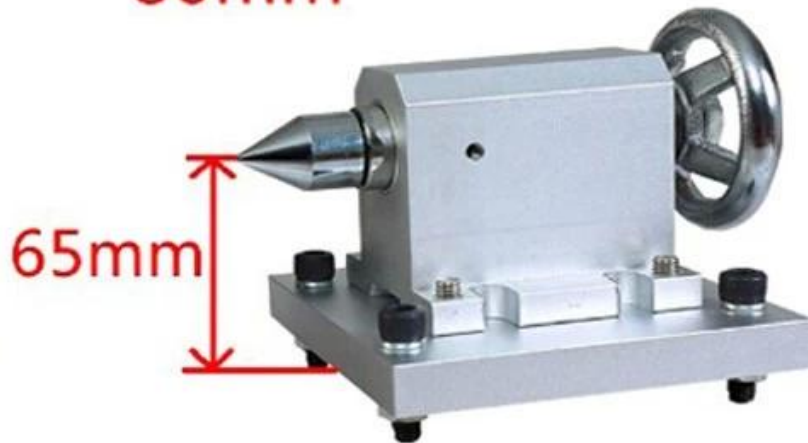


Ethernet USB interface

New Model



80mm



65mm

Rotation Axis

04 Applications

China  zone

mach3 usb cnc 6040 3 4 cnc

a. pvc pcb

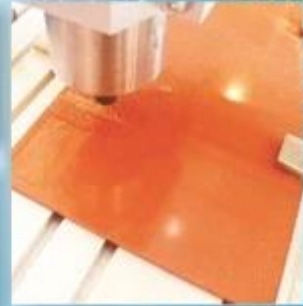
b.

c. rc



www.chinacnczone.com

Live Demo



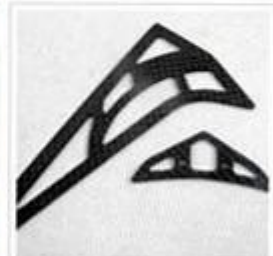
PVC



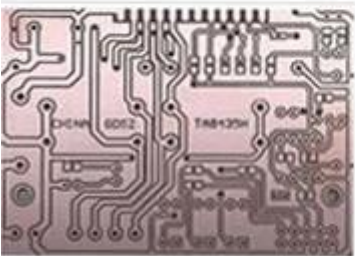
DOUBLE COLOR BOARDS



WOOD



CARBON FIBER REINFORCED PLASTICS PLATE



PCB



WAX



DOUBLE COLOR BOARDS



EPOXY TOOLING BOARD







QA Inspection Area



Mechanical Assembly Area



Machine Commissioning Area



Finish Products Area

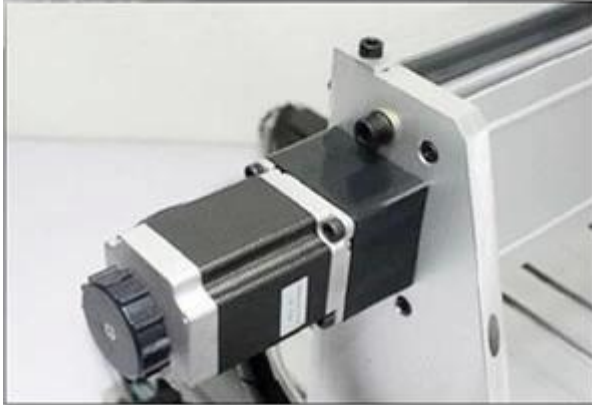


Packaging Area



Always be imitated, never be surmounted.

We all use well-designed professional aluminum to manufacture the machine. Almost all of the structural member are extruded by a dedicated mold. The production of large quantities so that we have a strong price competitiveness. Professional mold and materials so that our quality has been stable protection.





SHENZHEN SCOTLE TECHNOLOGY GROUP LIMITED

ChinaCNCzone, engrave your colorful life!

客户合影及公司文化 Customers and Company Culture

