

6090 [cnc](#) [cnc](#) cnc competitivie

?

[cnc 6090](#) [cnc](#) ?

1z [150mm](#)

2.

3. 1500w [2200W](#)

4. 3 [4cnc](#) 34

5. usb

6.

7. pcb

8.

9. z

10.

11.It broaded

12.

13. & [cnc](#)

UR14.DSP

15.It broaded

16 [mach3](#) [usb](#) [cnc](#)

: [dsp cnc 6090](#)

# Type 3 controller

Front



Back



+



Ethernet USB interface

# Type 1 controller

Front



Back



parallel port +

USB CNC cable (option)



## 02 Parameters China zone

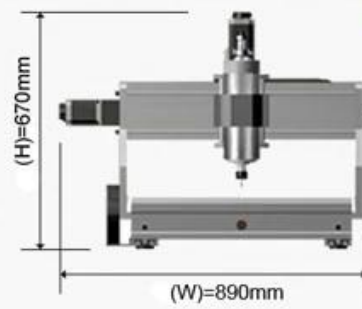
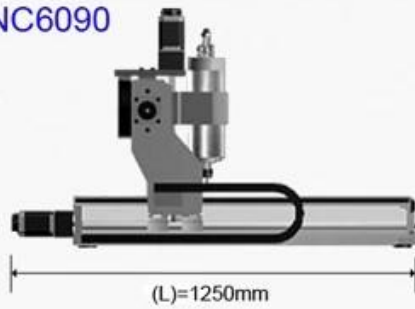
6090 cnc	
6000000	600 (x) mm * 900 (y) mm * 150 (z) mm
8000	890 * 1250 * 670mm



# 03 Product Images

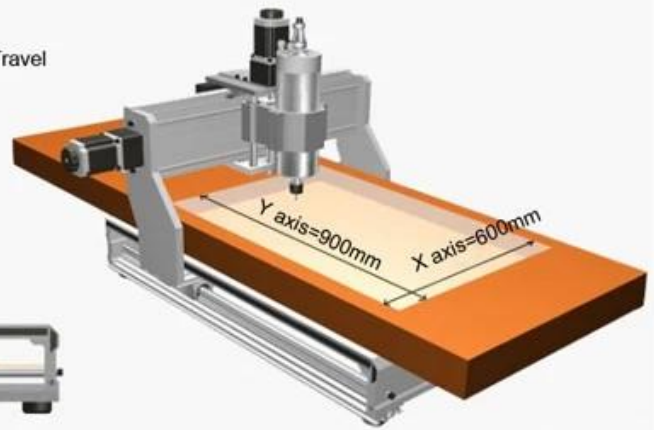
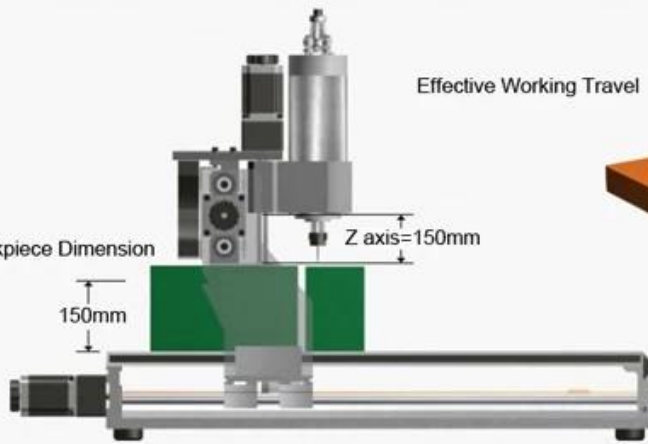
Model: CNC6090

Shape Dimension



Effective Working Travel

Max. Workpiece Dimension





ChinaCzone  
www.china-cncrouter.com

CNC 6090Z

Emergency Stop

POWER

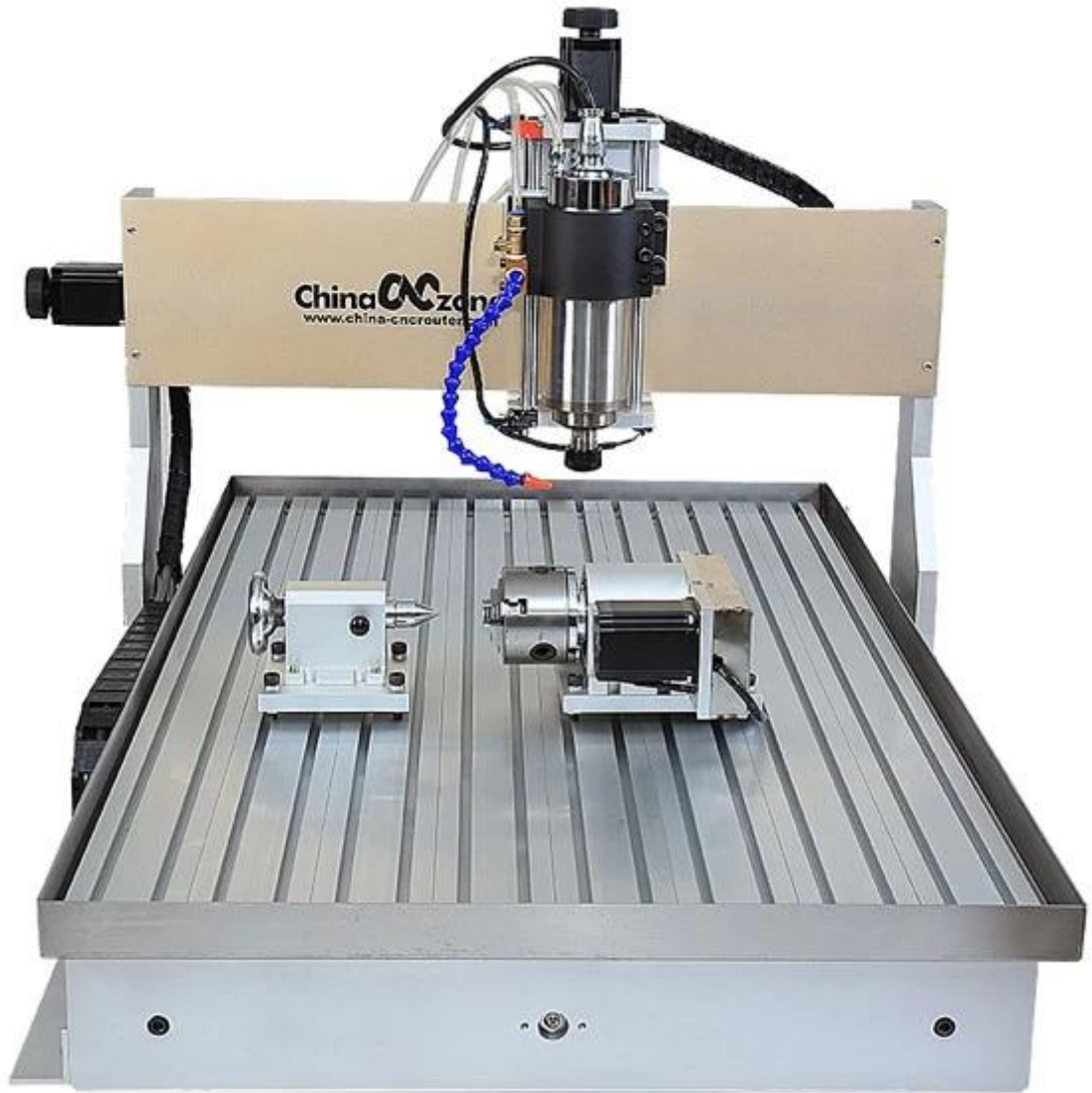
STOP



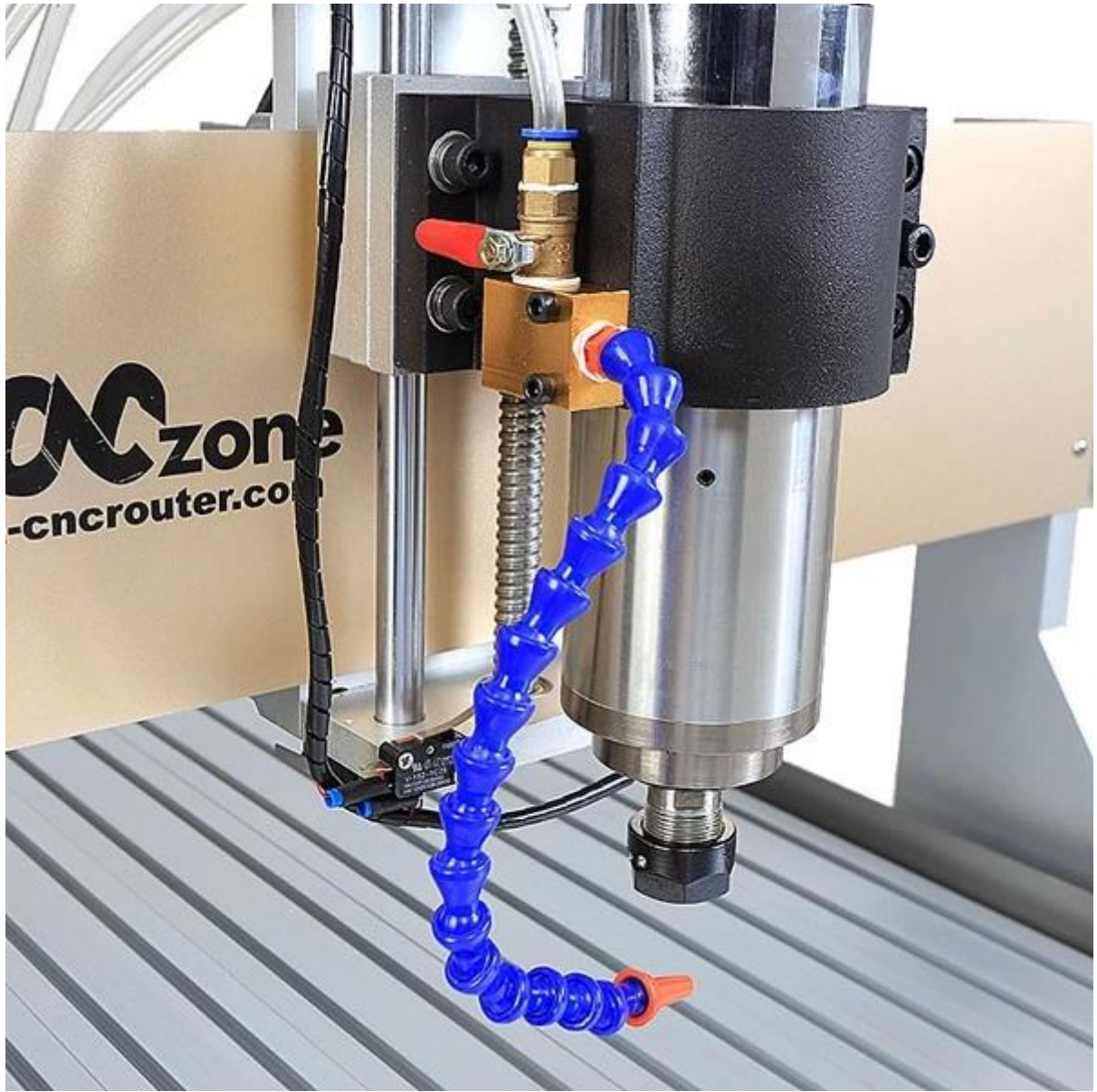


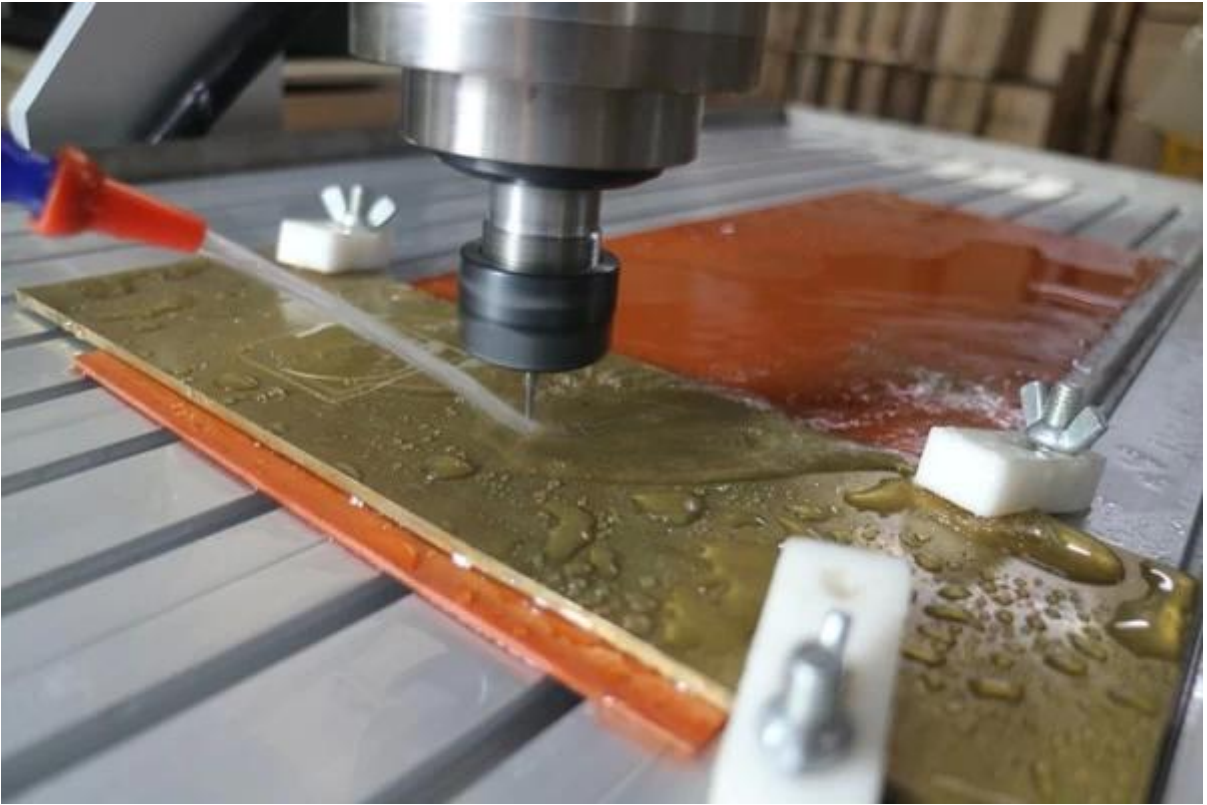










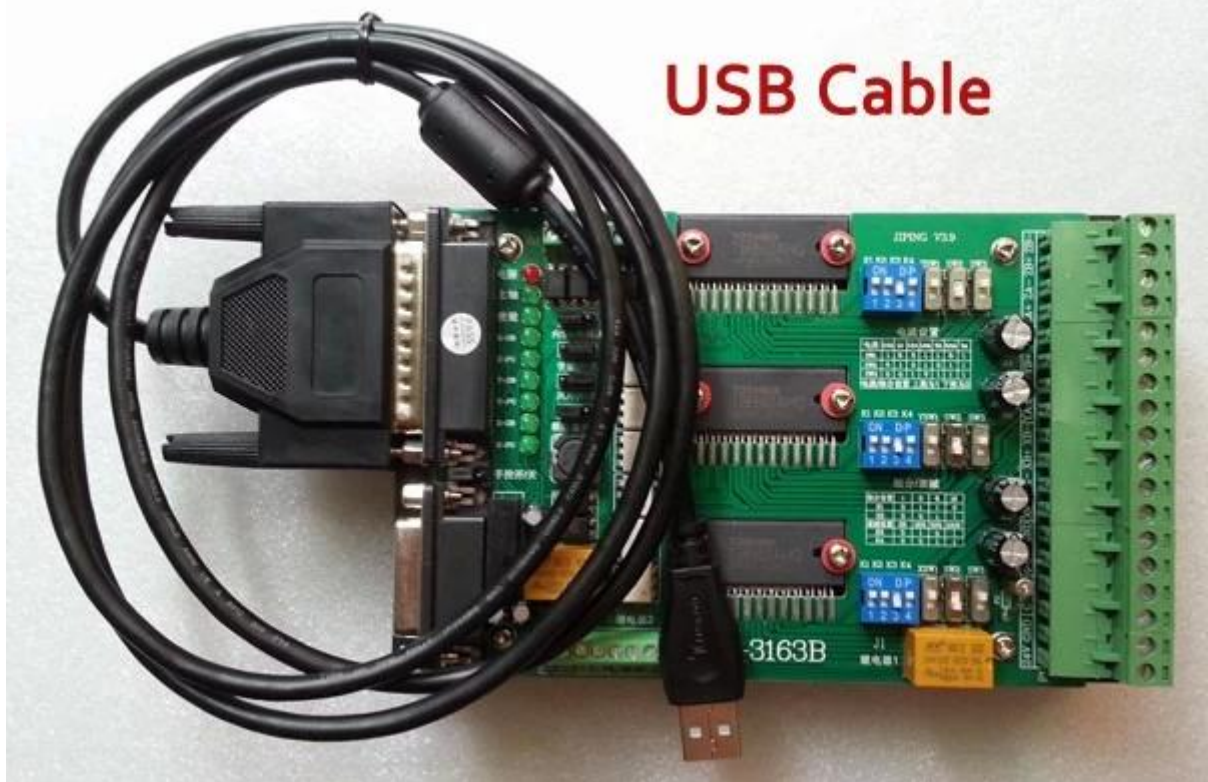




*Ball screw high precision*



**USB Cable**



cnc 6090 〇〇 cnc 〇〇〇3〇





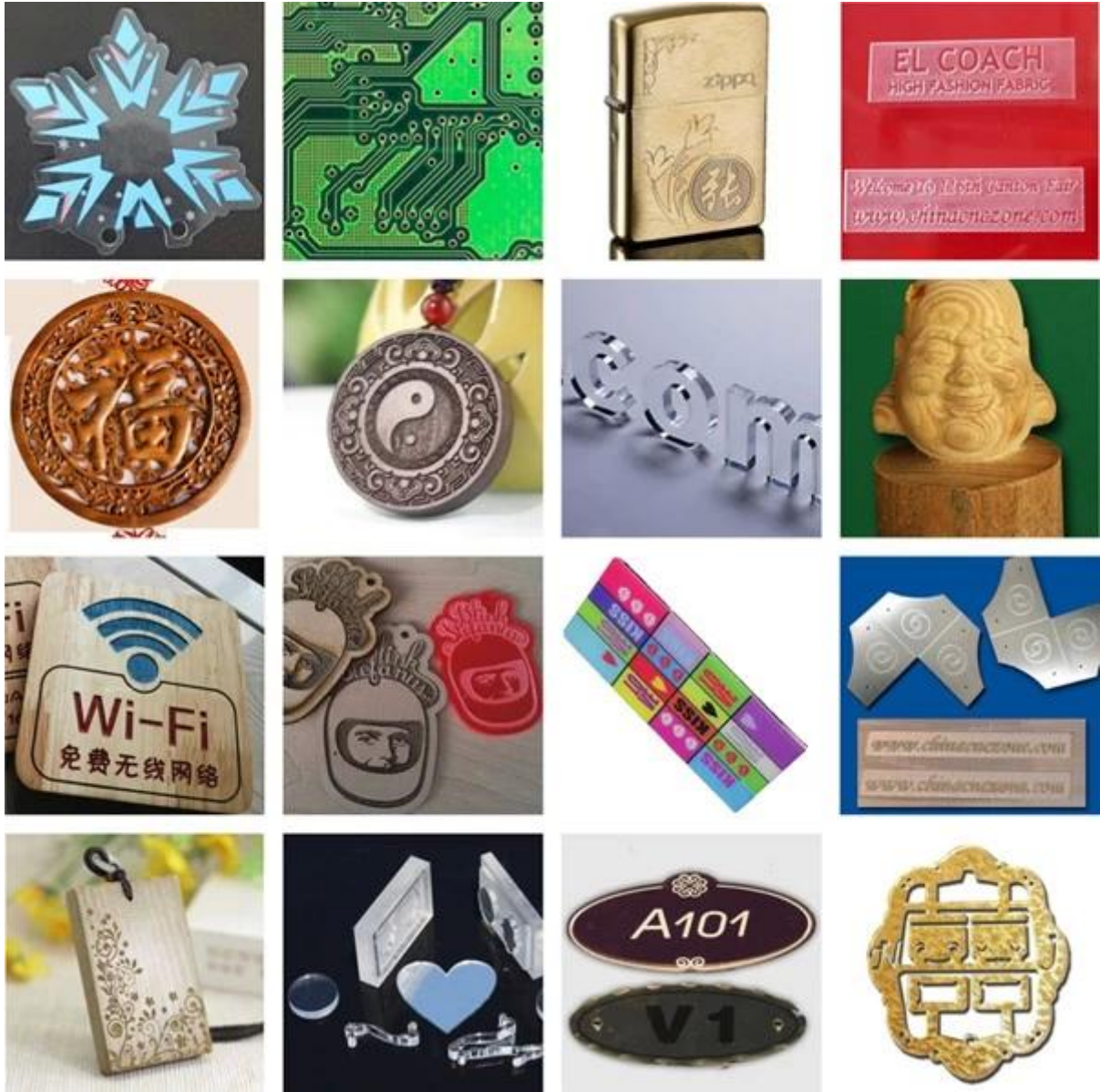


04

# Applications

铝型材 6090 cnc 铝型材 cnc 铝型材 铝型材 alumimun pvc pcb 铝型材

.



**05** *Factory Tour* **ChinaCNCzone**

chinacnczone 提供不同材料, 不同尺寸 different 材料 cnc 加工零件



**QA Inspection Area**



**Mechanical Assembly Area**



**Machine Commissioning Area**



**Finish Products Area**

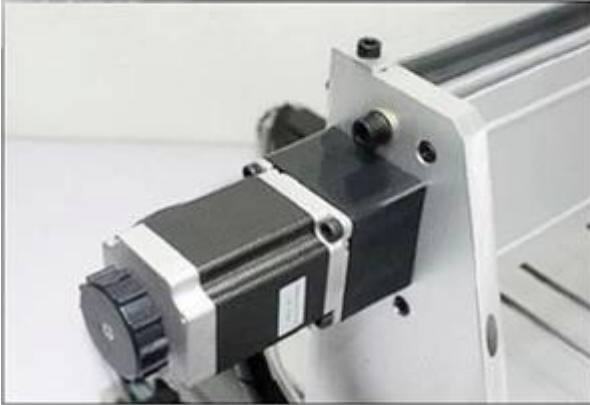


**Packaging Area**



Always be imitated, never be surmounted.

We all use well-designed professional aluminum to manufacture the machine. Almost all of the structural member are extruded by a dedicated mold. The production of large quantities so that we have a strong price competitiveness. Professional mold and materials so that our quality has been stable protection.





# SHENZHEN SCOTLE TECHNOLOGY GROUP LIMITED

ChinaCNCzone, engrave your colorful life!

## 客户合影及公司文化 Customers and Company Culture



