

Latest ChinaCNCzone [CNC 6040](#) with sink cooling system main features as below:

1. 1500w / 2200w Water Cooled Spindle for selection
2. Has 3 axis and 4 axis for your selection, the [3 axis CNC](#) can be updated into [4 axis](#) easily and directly after you got the ChinaCNCzone 4th Axis.
3. The Z axis effective working area is 105mm, and accept material thick 145mm.
4. Has USB controller (Can be connected with computer by parallel port and notebook by USB interface )and Mach3 USB controller for your selection.
5. Ball screw high precision.
6. Independent power supply for mainboard, prolong using life.
7. Limited switch added.
8. Auto-Checking function.
9. The spindle speed can controlled by MACH3 software.
10. Software: compatible with Mach 3 or USB CNC software.
11. Can engrave material such acrylic, brass, wood, aluminum, PCB and so on.
12. Spindle diameter: 80mm
14. With water-cool system.
15. From professional china [mini CNC router](#) manufacturer.

### **Why add the Sink cooling system ?**

It can cool the spindle and protect the machine.

Avoid the spindle burn out. when you

Can engrave the high hardness or metal

It can improve the efficiency and accuracy of the machine.

**Note:** You may also interested in below, just click below link::

A. [The Outstanding Features for ChinaCNCzone MACH 3 USB CNC 6040 3 Axis 1500W 2200W](#)

B. [The comparisons of CNC 6040 made by ChinaCNCzone and Other suppliers.](#)

C. [What are the differences between ChinaCNCzone NEW CNC 6040 and Old Version](#)



## 02 Parameters China zone

□□

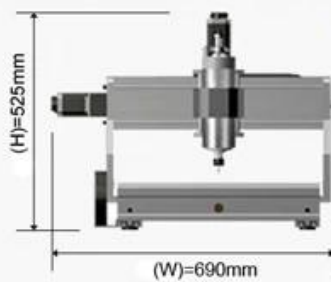
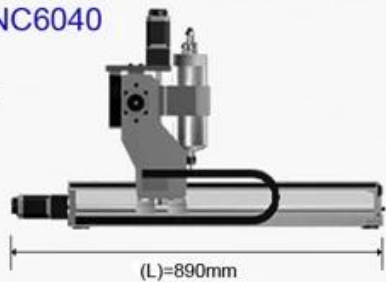
Mach3 USB CNC 6040 3 Axis 4 Axis <a href="#">Mini CNC</a> Router parameters		
Effective working travel		580(X)mm*400(Y)mm*105(Z)mm
Shape dimension		880*670*640mm
Max.workpiece dimension		750mm*450mm<150mm
Work table dimension		750mm*480mm
Frame materials		aluminum alloy 6063 and 6061 the unique and dedicated mold extrusion profiles. let counterfeiters dwarfs
acceptable material thickness		≤145
Driving units	X axis	1605 ballscrew
	Y axis	1605 ballscrew
	Z axis	1605 ballscrew
Sliding units	X axis	Dia.16mm chrome plate shafts
	Y axis	Dia.20mm chrome plate shafts
	Z axis	Dia.13mm chrome plate shafts
Stepping motor type		57 two-phase 3A 150N.cm

Spindle motor	brand new 1.5KW water cooling spindle, 24000RPM
Principal axis collet	ER11/3.175 mm/6mm
Repeat accuracy	0.05mm
Spindle precision	radial beat acuities 0.03 mm
Carving Instructions	G code/TAB files/nc file/NCC files/DXF file/GERBER file
Communication interface	through parallel and USB connection with computer
Software environment	Windows xp/Win7/Win8/Win10
Maximum speed	0-4000mm/min
Carving speed	0-2500mm/min (different materials differ)
Control unit	Toroidal transformer + PWM power supply module + TB6560 3axis drive board
Computer connection	parallel port/USB port
Command code	G code
Acceptable software	Mach3,USBCNC
Protection	Emergency stop button
Operating Voltage	AC110V/AC220V
Machine weight (Package weight)	3 axis 82KG, 4 axis 85kg
package dimension	top□122*86*83

Model: CNC6040

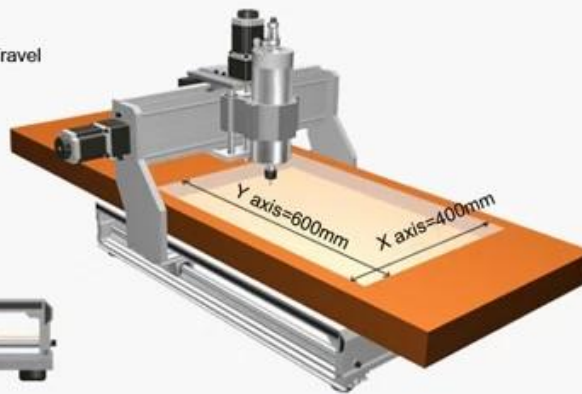
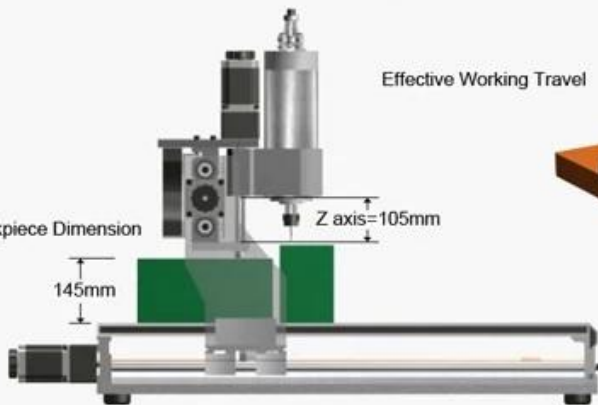


Shape Dimension



Effective Working Travel

Max. Workpiece Dimension





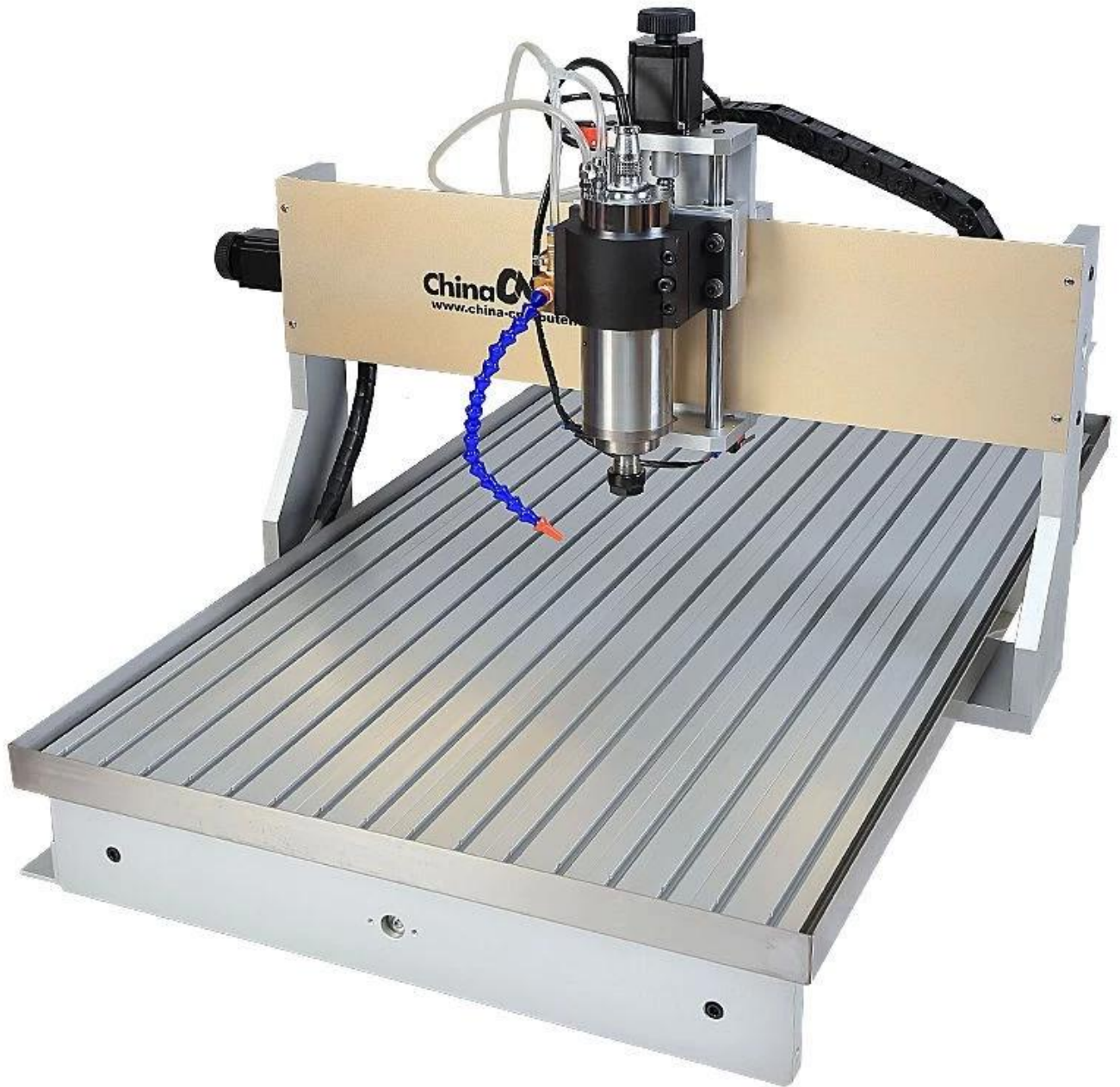






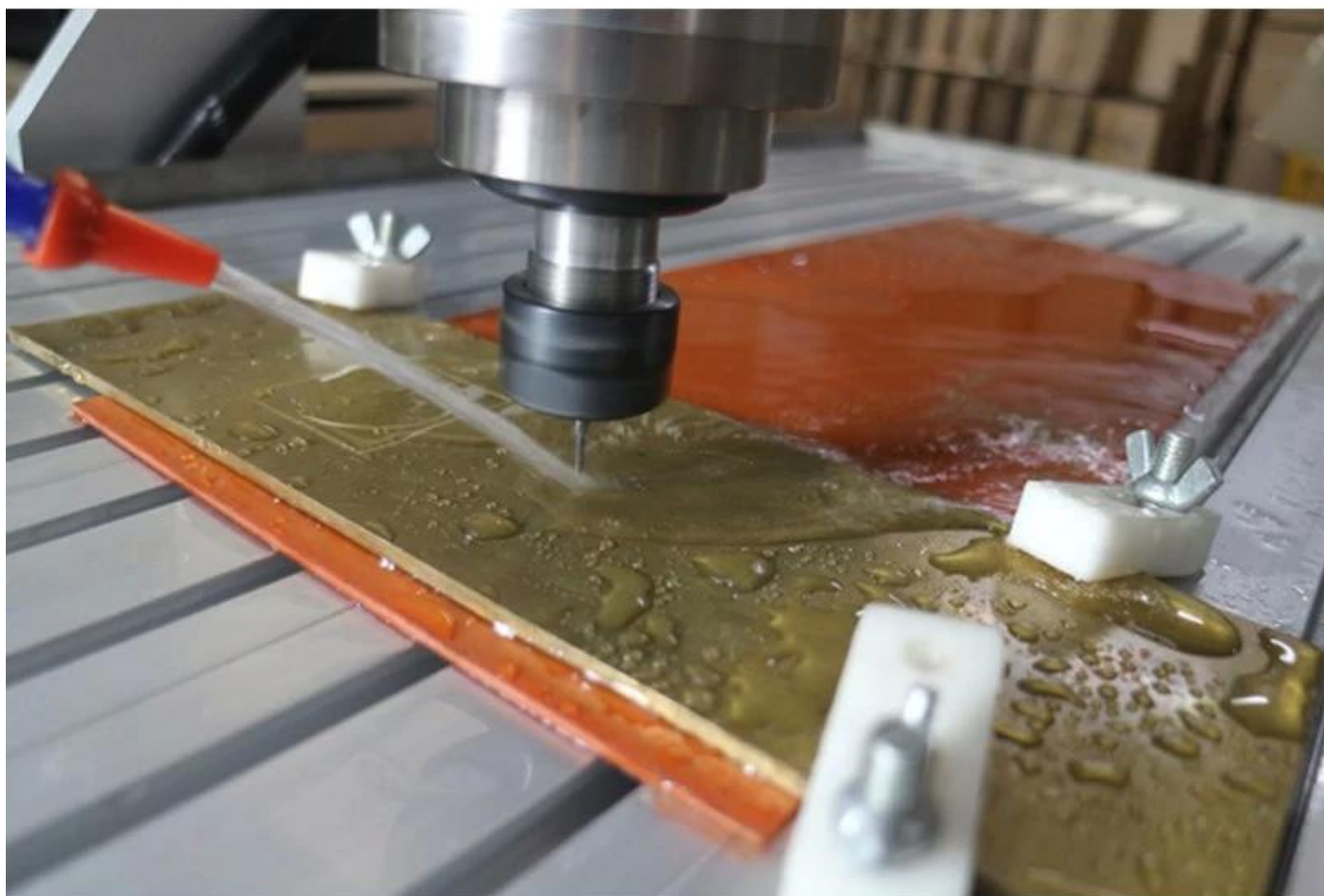










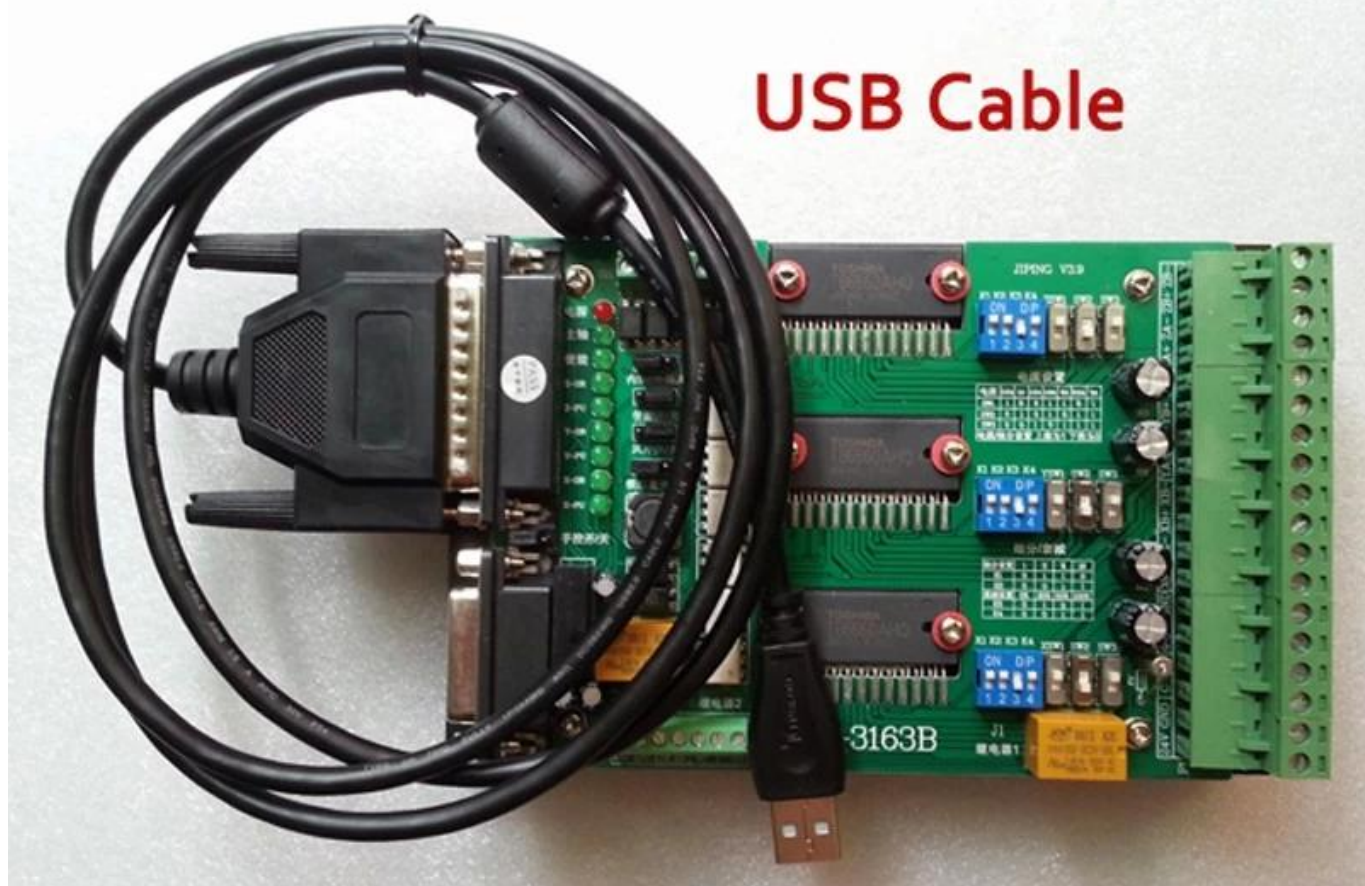




*Ball screw high precision*



**USB Cable**





# Type 1 controller

Front



Back



parallel port +

USB CNC cable (option)





# Type 3 controller

Front



Back

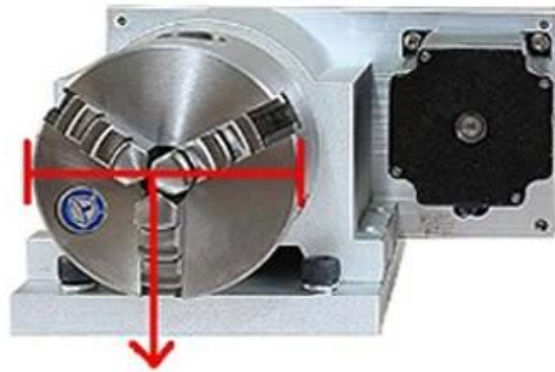


+



Ethernet USB interface

# *New Model*



80mm



## *Rotation Axis*

### 04 Applications

China  zone

This Mach3 USB CNC 6040 3 Axis 4 Axis Mini CNC Router can be widely used as below:

A. Widely used not only for Aluminum but also acrylic, brass, wood, PVC, PCB and so on.

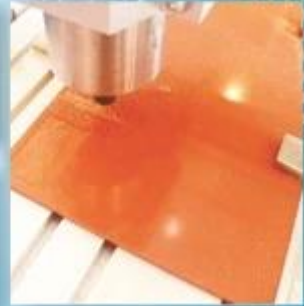
B. Ideal for milling, engraving, drilling & routing.

C. For Industry, Technology Research, Advertising Design, Arts Creation, Teaching, Student Project and Hobby Purposes, Building Model Making, Advertising Signs, Artwork, Crafts, Aircraft Models, RC Model parts



[www.chinacnczone.com](http://www.chinacnczone.com)

# Live Demo



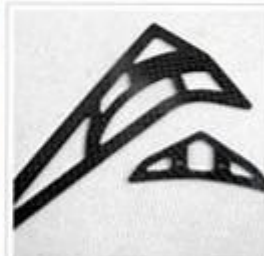
PVC



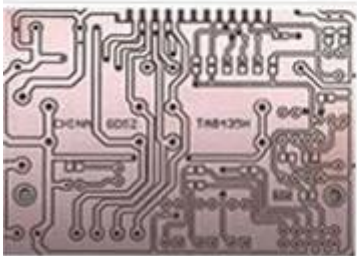
DOUBLE COLOR BOARDS



WOOD



CARBON FIBER REINFORCED PLASTICS PLATE



PCB



WAX



DOUBLE COLOR BOARDS



EPOXY TOOLING BOARD









**QA Inspection Area**



**Mechanical Assembly Area**



**Machine Commissioning Area**



**Finish Products Area**



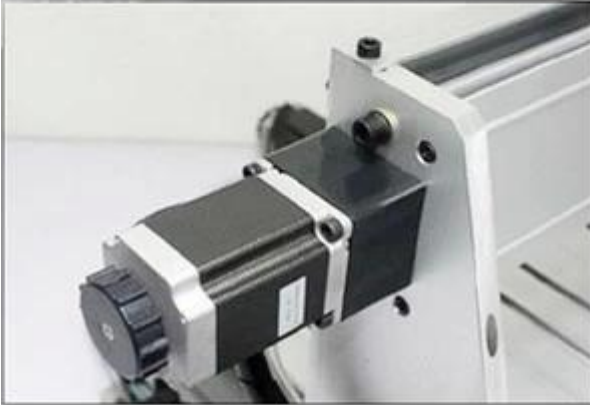
**Packaging Area**





Always be imitated, never be surmounted.

We all use well-designed professional aluminum to manufacture the machine. Almost all of the structural member are extruded by a dedicated mold. The production of large quantities so that we have a strong price competitiveness. Professional mold and materials so that our quality has been stable protection.







# SHENZHEN SCOTLE TECHNOLOGY GROUP LIMITED

ChinaCNCzone, engrave your colorful life!

## 客户合影及公司文化 Customers and Company Culture

