

ChinaCNCzone New DSP [CNC 6090 mini CNC](#) router with 1500W/2200W Spindle and Water Cool System

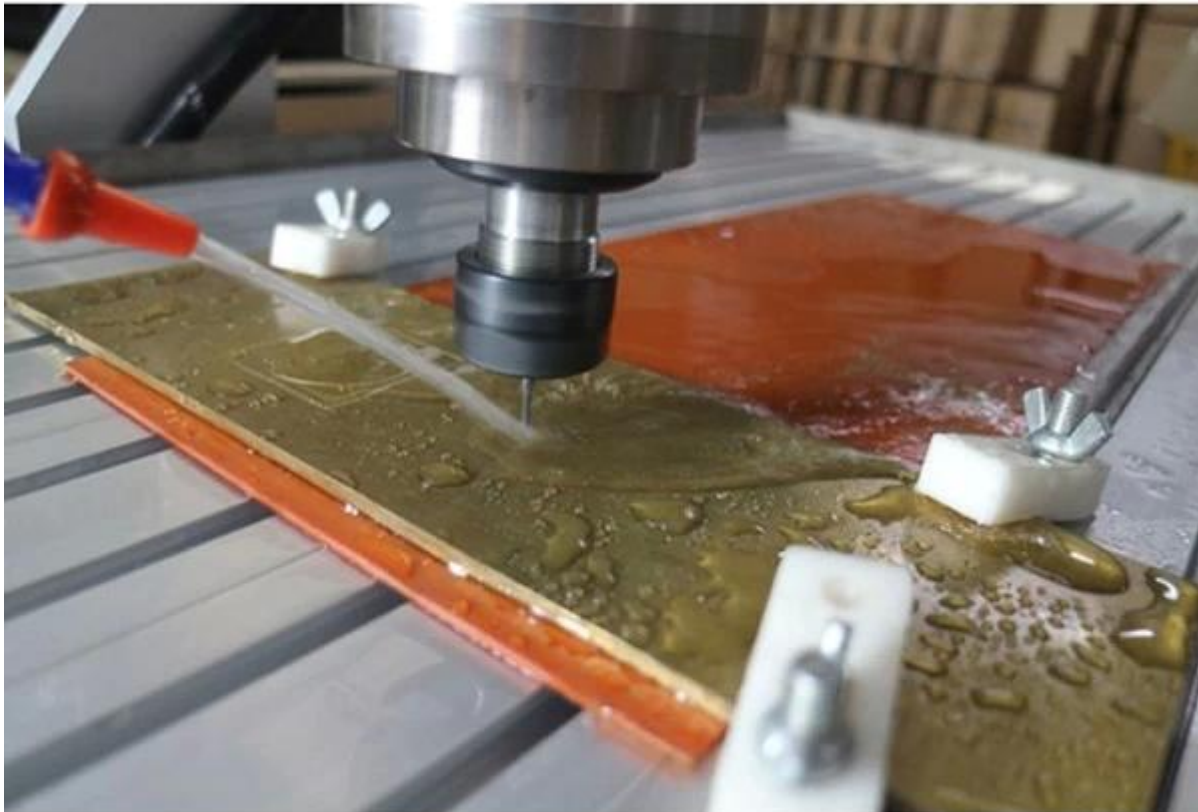
Why add the Sink cooling system ?

It can cool the spindle and protect the machine.

Avoid the spindle burn out.when you

Can engrave the high hardness or metal

It can improve the efficiency and accuracy of the machine.



What are the main features for this new DSP CNC 6090 [Mini CNC Router](#) ?

- 1.The acceptable material thickness and effective working area of Z axis is 150mm.
2. New added water cooling system, enlarge the working fields and prolong the working life.
3. With 1500W and 2200W Spindle selection
4. It can be updated into 4 axis CNC router easily, you just need to buy the 4th axis, then plug and use.
5. USB interface
6. English manual available.
- 7.Can engrave material such acrylic, brass, wood, aluminum, PCB and so on.
- 8.Balls crew made it a higher precision.
- 9.Auto-Checking function, easy to set origin of Z axis
- 10.With built-in frequency converter in control box
- 11.It has a broaded base and a thicker screw for larger material working.
- 12.Limited switches added.
- 13.From reliable & trustable profesional [China CNC Router](#) manufacturer.
- 14.It has three different types of controllers according to users' need.(USB controller box for USB CNC software and parallel port for mach3 cnc software, DSP controller box no need use mach3 software,

and mach3 USB controller box for mach3 software.)

What are the advantages of the USB controller box?

- 1.with the USB CNC cable, you can use the usb CNC software
- 2.with the parallel port, you can use the mach3 software
- 3.High performance, lower cost.

Type 1 controller

Front



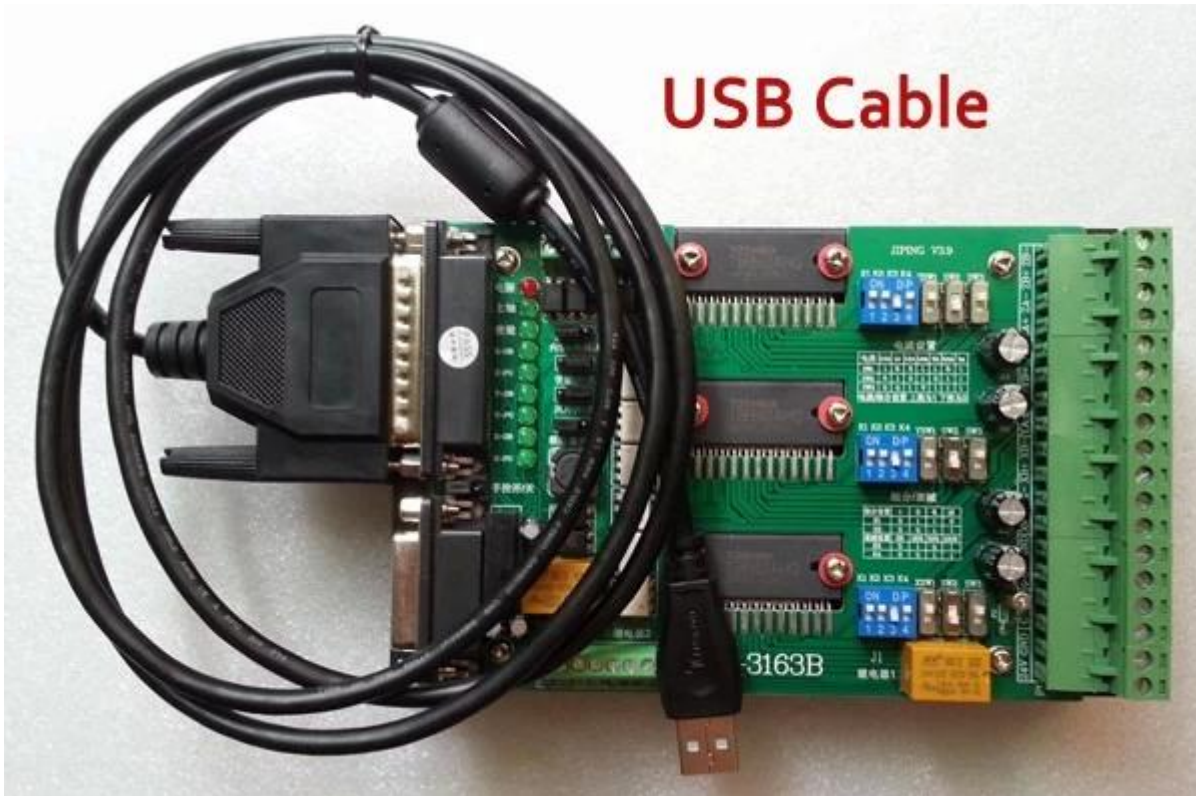
Back



parallel port +

USB CNC cable (option)





What are the advantages of the DSP controller box?

1. with the DSP controller box with independent DSP system,the mini CNC router can work without a computer.
2. After copy the G-code to your SD card, you can insert TF memory card to the TF card slot on the DSP controller box, and then run the G-code directly,
3. G-code files can be directly edited, delete, insert through the DSP controller system.
4. Very easy to operate and suitable for factory application.
5. Select the mini CNC router with DSP controller system, NO need to to use the mach3 software any more.

Type 2 controller

TF/microsd card slot
data transfer

Front



Back



What are the advantages of the Mach3 USB controller box?

1. For the users who familiar with mach3 software, select this controller, you can use the mach3 software easily through the USB interface directly.
2. High performance, time saving and cost a little higher.

Type 3 controller

Front



Back



+



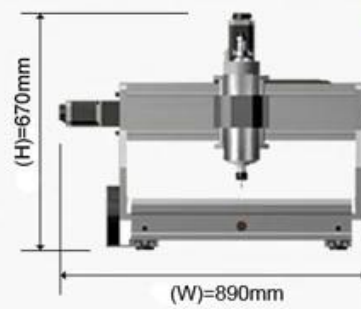
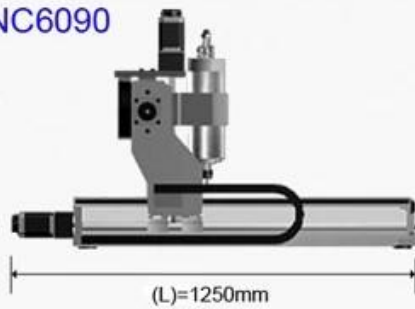
Ethernet USB interface

What is the dimension for this [6090 CNC Router 3 Axis](#)?

Model: CNC6090

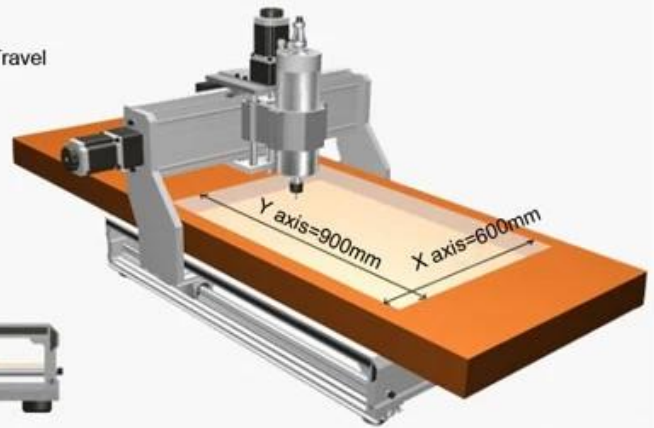
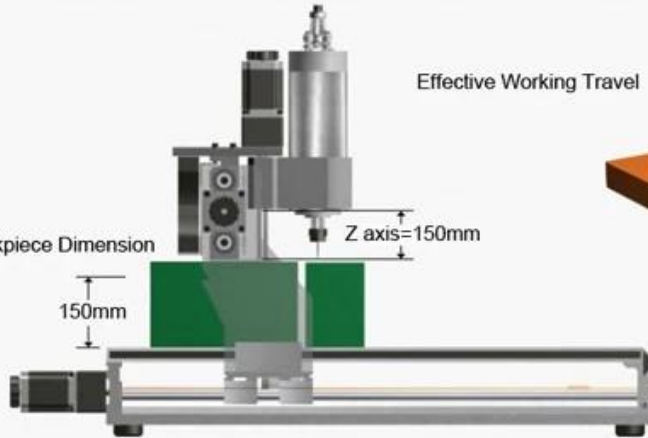
ChinaCzone

Shape Dimension



Effective Working Travel

Max. Workpiece Dimension



02

Parameters

ChinaCzone

3 axis CNC 6090 router Parameters	
Effective working travel	600(X)mm*900(Y)mm*150(Z)mm
Shape dimension	890*1250*670mm
Frame materials	Aluminum alloy 6063 and 6061 the unique and dedicated mold extrusion profiles. let counterfeiters dwarfs
Axis	3 Axis and 4 Axis version
Acceptable material thickness	≤150mm
Driving units	X,Z SFUR1605-DFC7-P0 ball screw, Y SFUR2005-DFC7-P0 ball screw

Sliding units X Axis	Dia.30mm chrome plate shafts
Sliding units Y Axis	Dia.30mm chrome plate shafts
Sliding units Z axis	Dia.16mm chrome plate shafts
Stepping motor type	57 two-phase 3A 150N.cm
4 Axis size and precision	220(L)*116(W)*105(H)mm, 9KG Transmission ratio: 1:3, 0.6 degree/step, K11
4Axis maximum clamping diameter	Center height 65mm, 3 Jaw 80mm Chuck, Maximum clamping 125mm ,Tailstock maximum expansion length 50mm ,Maximum clamping weight 30kg
Spindle motor	Changlong GDZ80-2.2, 24000RPM, 1500/2200W
Principal axis collet	ER20 1-13mm
Repeat accuracy	0.05mm
Spindle precision	radial beat acuities 0.03 mm
Maximum speed	0-4000mm/min
Control unit	E100S2R2B + JMC542 drive board+1635A 4th Axis drive board + DSP Controller
Computer connection	DSP control No need connect computer
Command code	G code, or any MACH3 support format file
Protection	Emergency stop button
Operating Voltage	AC220V/110V
Accessories	Pump, Auto checking tool , cutter, banner and so on.
Warranty	Two Year
Package size	One wooden box package , 121*86*82cm
Gross weight	156KG

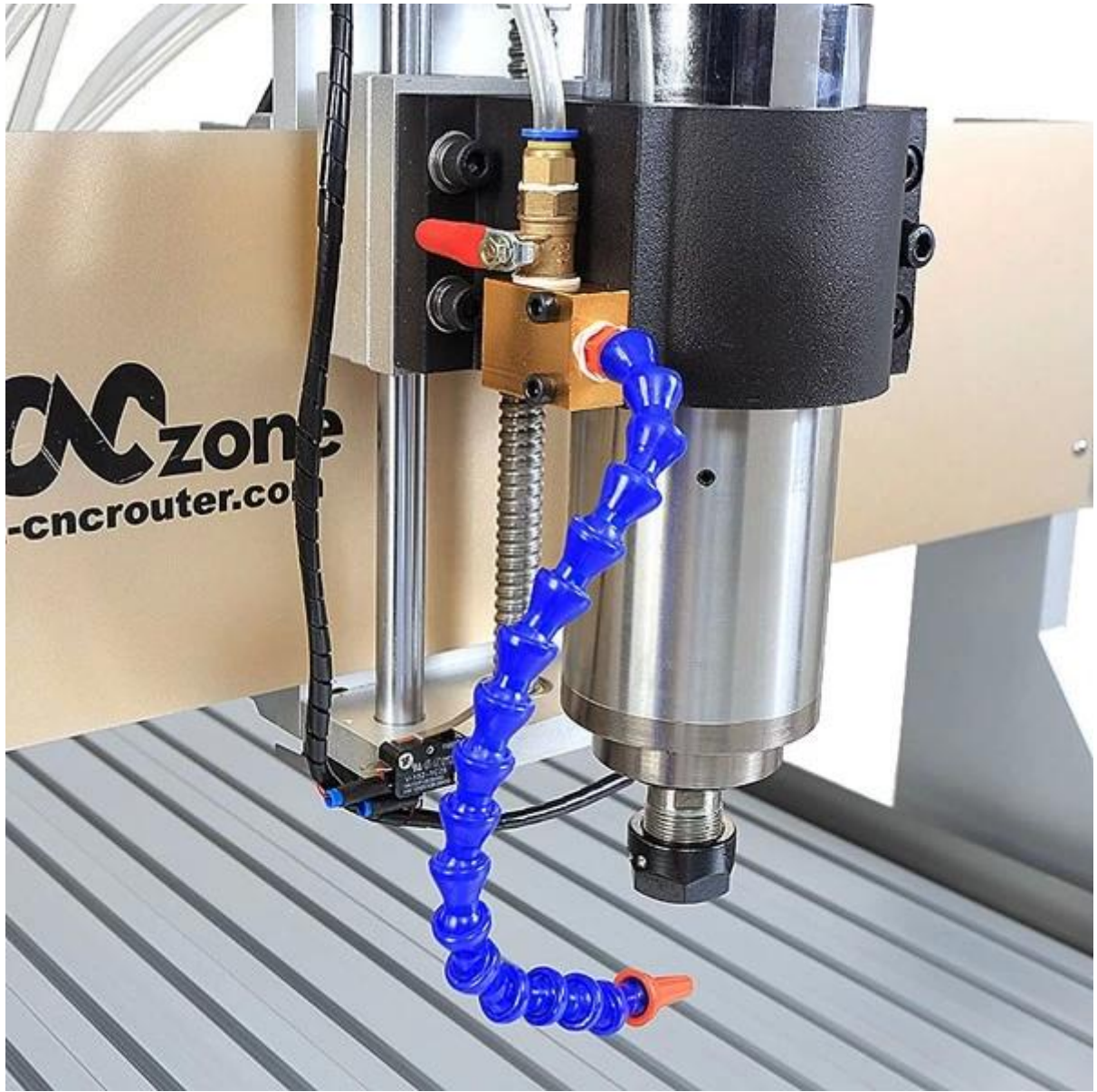


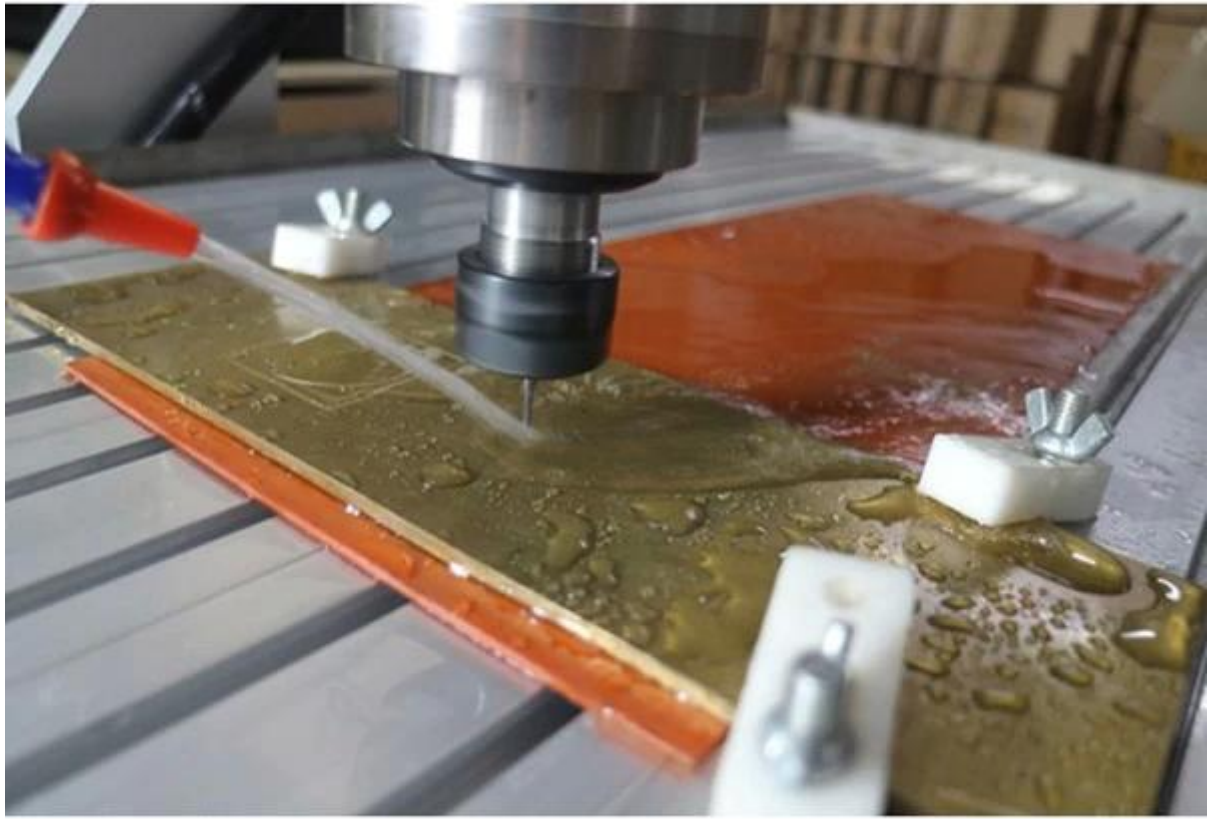
















CNC 6090 Mini CNC Engraving Machine 3 Axis

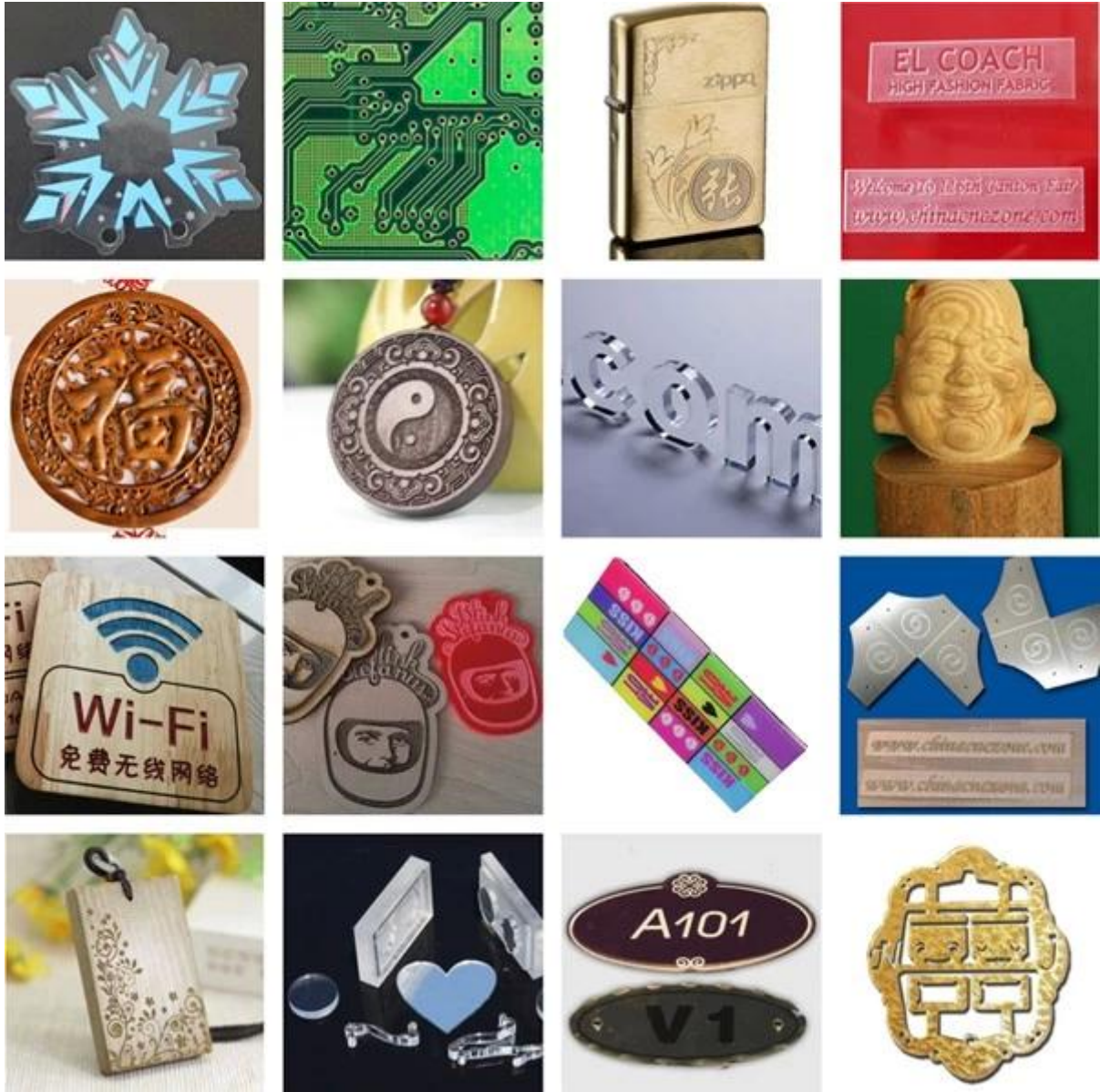




04 Applications

ChinaCCzone

This new DSP CNC 6090 with cooling system can be widely used to engrave wood, acrylic, brass, alumimun,PVC, PCB and so on.



05 *Factory Tour* **ChinaCNCzone**

ChinaCNCzone team always welcome customers from all over the world to visit our factory, and let us provide the best different models [mini CNC](#) routers for users together.



QA Inspection Area



Mechanical Assembly Area



Machine Commissioning Area



Finish Products Area

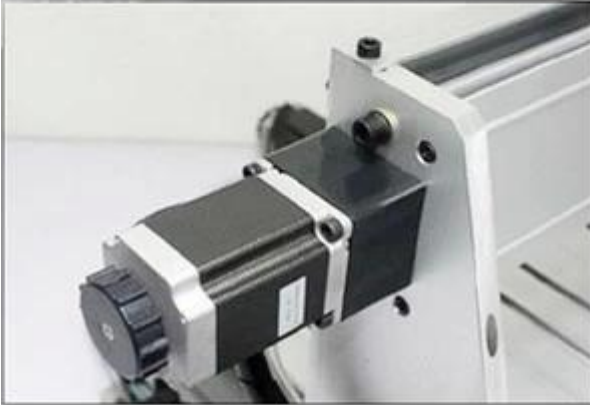


Packaging Area



Always be imitated, never be surmounted.

We all use well-designed professional aluminum to manufacture the machine. Almost all of the structural member are extruded by a dedicated mold. The production of large quantities so that we have a strong price competitiveness. Professional mold and materials so that our quality has been stable protection.





SHENZHEN SCOTLE TECHNOLOGY GROUP LIMITED

ChinaCNCzone, engrave your colorful life!

客户合影及公司文化 Customers and Company Culture



