

DSP [CNC 6040](#) Router with 1500W /2200W Spindle and Water Sink Cooling System main features as below:

1. 1500w / 2200w Water Cooled Spindle for selection
2. Has 3 axis and 4 axis for your selection, the [3 axis CNC](#) can be updated into [4 axis](#) easily and directly after you got the [ChinaCNCzone 4th Axis](#).
3. The Z axis effective working area is 105mm, and accept material thick 145mm.
4. With DSP controller box, no need to connect with computer.
5. Ball screw high precision.
6. Independent power supply for mainboard, prolong using life.
7. Limited switch added.
8. Auto-Checking function.
10. Can engrave material such acrylic, brass, wood, aluminum, PCB and so on.
11. Spindle diameter: 80mm
13. With water-cool system.
14. From professional china [mini CNC router](#) manufacturer.
15. No need to use mach3 software. Just copy the G-code into TF sd card, then use directly.

Why add the Sink cooling system ?

It can cool the spindle and protect the machine.

Avoid the spindle burn out. when you

Can engrave the high hardness or metal

It can improve the efficiency and accuracy of the machine.

What are the advantages of the DSP controller box?

1. with the DSP controller box with independent DSP system, the mini CNC router can work without a computer.
2. After copy the G-code to your SD card, you can insert TF memory card to the TF card slot on the DSP controller box, and then run the G-code directly,
3. G-code files can be directly edited, delete, insert through the DSP controller system.
4. Very easy to operate and suitable for factory application.
5. Select the mini CNC router with DSP controller system, NO need to use the mach3 software any more.

Note: You may also interested in below, just click below link::

A. [The Outstanding Features for ChinaCNCzone MACH 3 USB CNC 6040 3 Axis 1500W 2200W](#)

B. [The comparisons of CNC 6040 made by ChinaCNCzone and Other suppliers.](#)

C. [What are the differences between ChinaCNCzone NEW CNC 6040 and Old Version](#)



02 Parameters ChinaCNCzone

□□

ChinaCNCzone DSP CNC 6040 Router parameters		
Effective working travel		580(X)mm*400(Y)mm*105(Z)mm
Shape dimension		880*670*640mm
Max.workpiece dimension		750mm*450mm<150mm
Work table dimension		750mm*480mm
Frame materials		aluminum alloy 6063 and 6061 the unique and dedicated mold extrusion profiles. let counterfeiter dwarfs
acceptable material thickness		≤145
Driving units	X axis	1605 ballscrew
	Y axis	1605 ballscrew
	Z axis	1605 ballscrew
Sliding units	X axis	Dia.16mm chrome plate shafts
	Y axis	Dia.20mm chrome plate shafts
	Z axis	Dia.13mm chrome plate shafts
Stepping motor type		57 two-phase 3A 150N.cm

Spindle motor	brand new 1.5KW water cooling spindle, 24000RPM
Principal axis collet	ER11/3.175 mm/6mm
Repeat accuracy	0.05mm
Spindle precision	radial beat acuities 0.03 mm
Carving Instructions	G code/TAB files/nc file/NCC files/DXF file/GERBER file
Communication interface	through parallel and USB connection with computer
Software environment	Windows xp/Win7/Win8/Win10
Maximum speed	0-4000mm/min
Carving speed	0-2500mm/min (different materials differ)
Control unit	Toroidal transformer + PWM power supply module + TB6560 3axis drive board
Computer connection	parallel port/USB port
Command code	G code
Acceptable software	Mach3,USBCNC
Protection	Emergency stop button
Operating Voltage	AC110V/AC220V
Machine weight (Package weight)	3 axis 82KG, 4 axis 85kg
package dimension	top□122*86*83

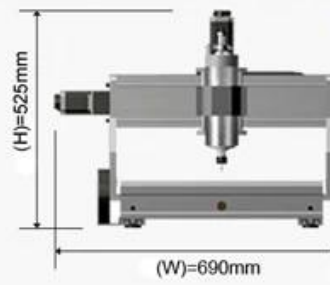
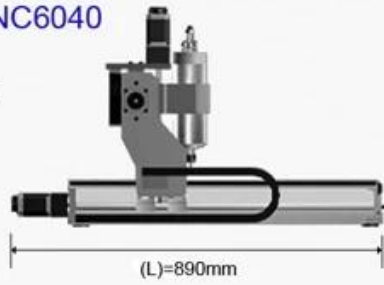
03 Product Images

China  zone

Model: CNC6040

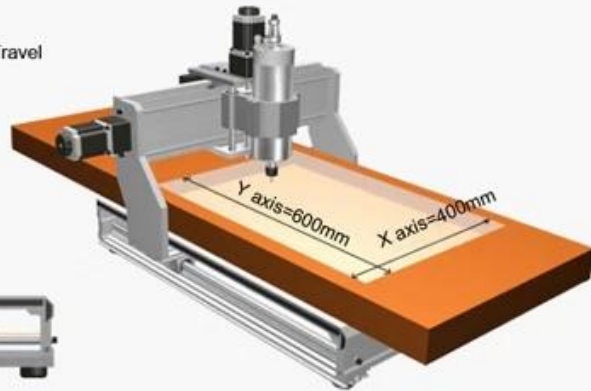
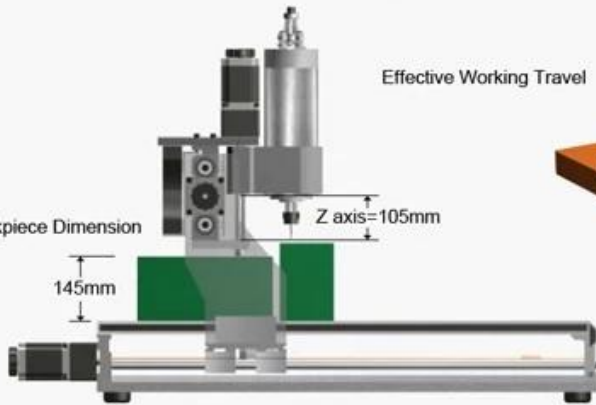


Shape Dimension



Effective Working Travel

Max. Workpiece Dimension







Type 2 controller

TF/microsd card slot

data transfer

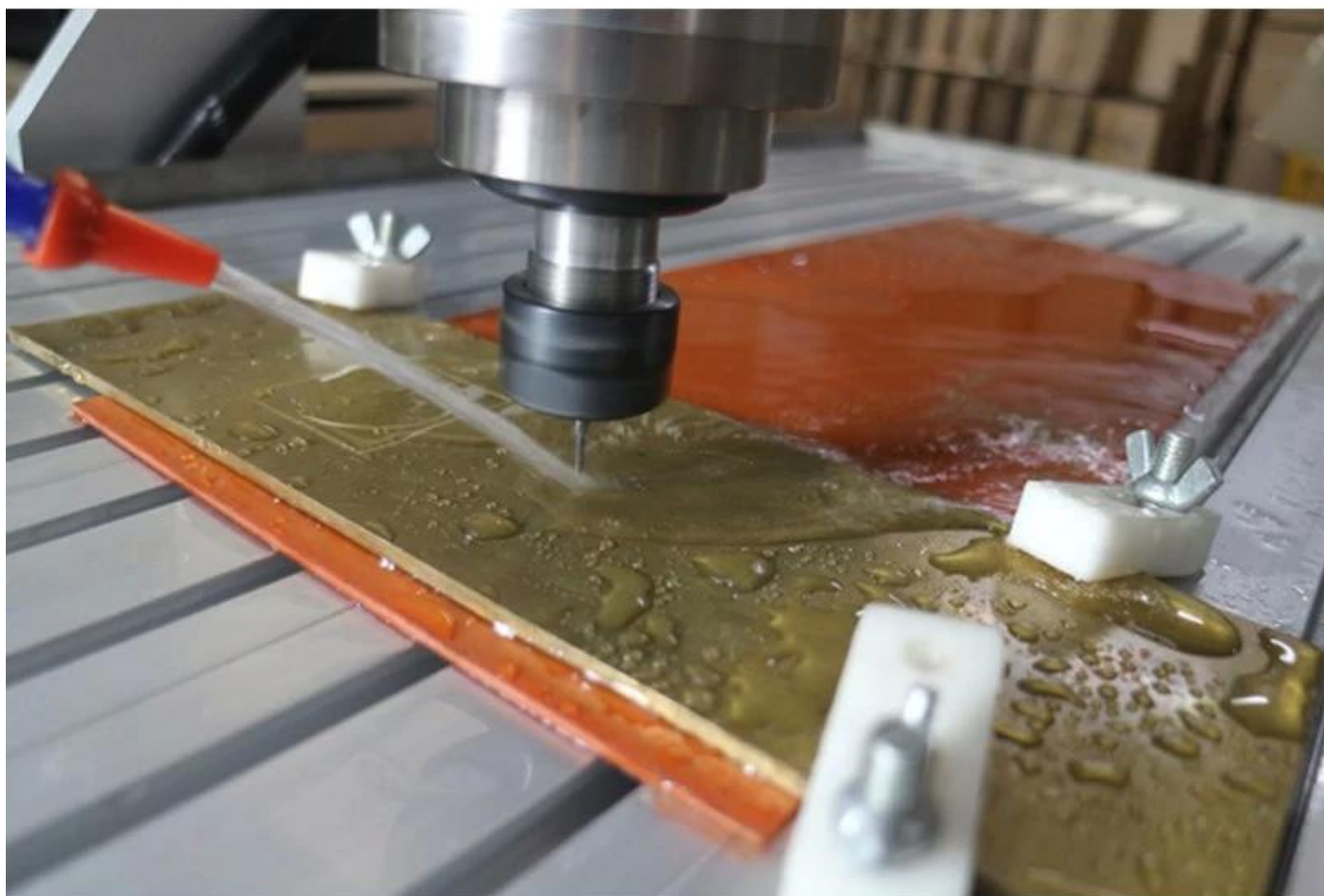
Front



Back





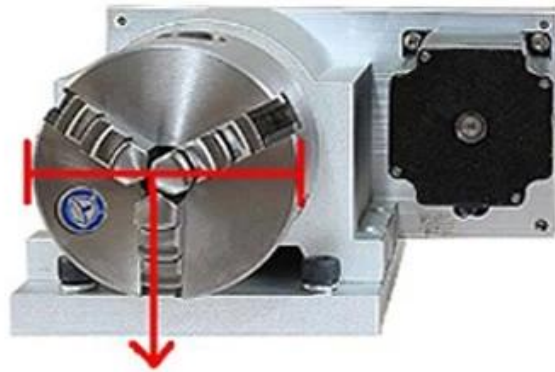




Ball screw high precision



New Model



80mm



65mm

Rotation Axis



04 Applications

ChinaCNCzone

This Mach3 USB CNC 6040 3 Axis 4 Axis Mini CNC Router can be widely used as below:

A. Widely used not only for Aluminum but also acrylic, brass, wood, PVC, PCB and so on.

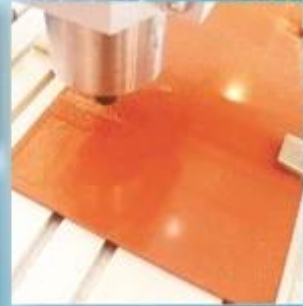
B. Ideal for milling, engraving, drilling & routing.

C. For Industry, Technology Research, Advertising Design, Arts Creation, Teaching, Student Project and Hobby Purposes, Building Model Making, Advertising Signs, Artwork, Crafts, Aircraft Models, RC Model parts



www.chinacnczone.com

Live Demo



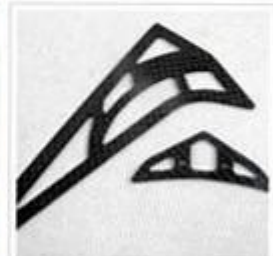
PVC



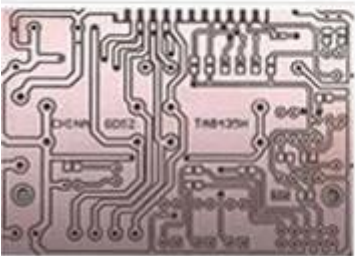
DOUBLE COLOR BOARDS



WOOD



CARBON FIBER REINFORCED PLASTICS PLATE



PCB



WAX



DOUBLE COLOR BOARDS



EPOXY TOOLING BOARD







QA Inspection Area



Mechanical Assembly Area



Machine Commissioning Area



Finish Products Area



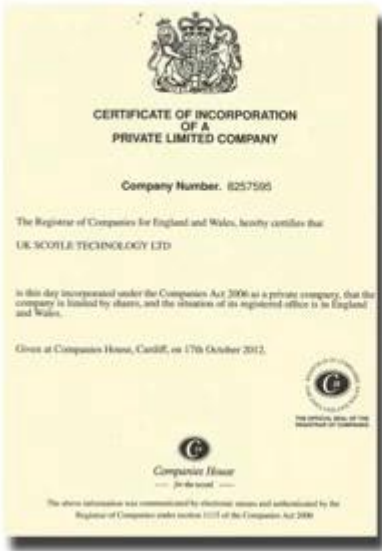
Packaging Area



Always be imitated, never be surmounted.

We all use well-designed professional aluminum to manufacture the machine. Almost all of the structural member are extruded by a dedicated mold. The production of large quantities so that we have a strong price competitiveness. Professional mold and materials so that our quality has been stable protection.





SHENZHEN SCOTLE TECHNOLOGY GROUP LIMITED

ChinaCNCzone, engrave your colorful life!

客户合影及公司文化 Customers and Company Culture

