

ChinaCNCzone 1500W/2200W [CNC 6040](#) 4 Axis Router main features as below:

1. with 1500W and 2200W spindle for selection.
2. [4 axis CNC router](#)
3. The Z axis effective working area is 105mm, and accept material thick 145mm.
4. With water sink cool system and can protect the spindle efficiently.
5. Ball screw high precision.
6. Independent power supply for mainboard, prolong using life.
7. Limited switch added.
8. Auto-Checking function.
9. Can engrave material such acrylic, brass, wood, aluminum, PCB and so on.
10. Spindle diameter: 80mm
11. From professional china [mini CNC router](#) manufacturer.
12. It has three different types of controllers according to users' need. (USB controller box for USB CNC software and parallel port for mach3 cnc software, DSP controller box no need use mach3 software, and mach3 USB controller box for mach3 software.)

What are the advantages of the USB controller box?

1. with the USB CNC cable, you can use the usb CNC software
2. with the parallel port, you can use the mach3 software
3. High performance, lower cost.

Type 1 controller

Front



Back



parallel port +

USB CNC cable (option)



USB Cable



What are the advantages of the DSP controller box?

1. with the DSP controller box with independent DSP system, the [mini CNC](#) router can work without a computer.
2. After copy the G-code to your SD card, you can insert TF memory card to the TF card slot on the DSP controller box, and then run the G-code directly,
3. G-code files can be directly edited, delete, insert through the DSP controller system.
4. Very easy to operate and suitable for factory application.
5. Select the mini CNC router with DSP controller system, NO need to to use the mach3 software any more.

Type 2 controller

TF/microsd card slot
data transfer

Front



Back



What are the advantages of the Mach3 USB controller box?

1. For the users who familiar with mach3 software, select this controller, you can use the mach3 software easily through the USB interface directly.
2. High performance, time saving and cost a little higher.

Type 3 controller

Front



Back



+



Ethernet USB
interface

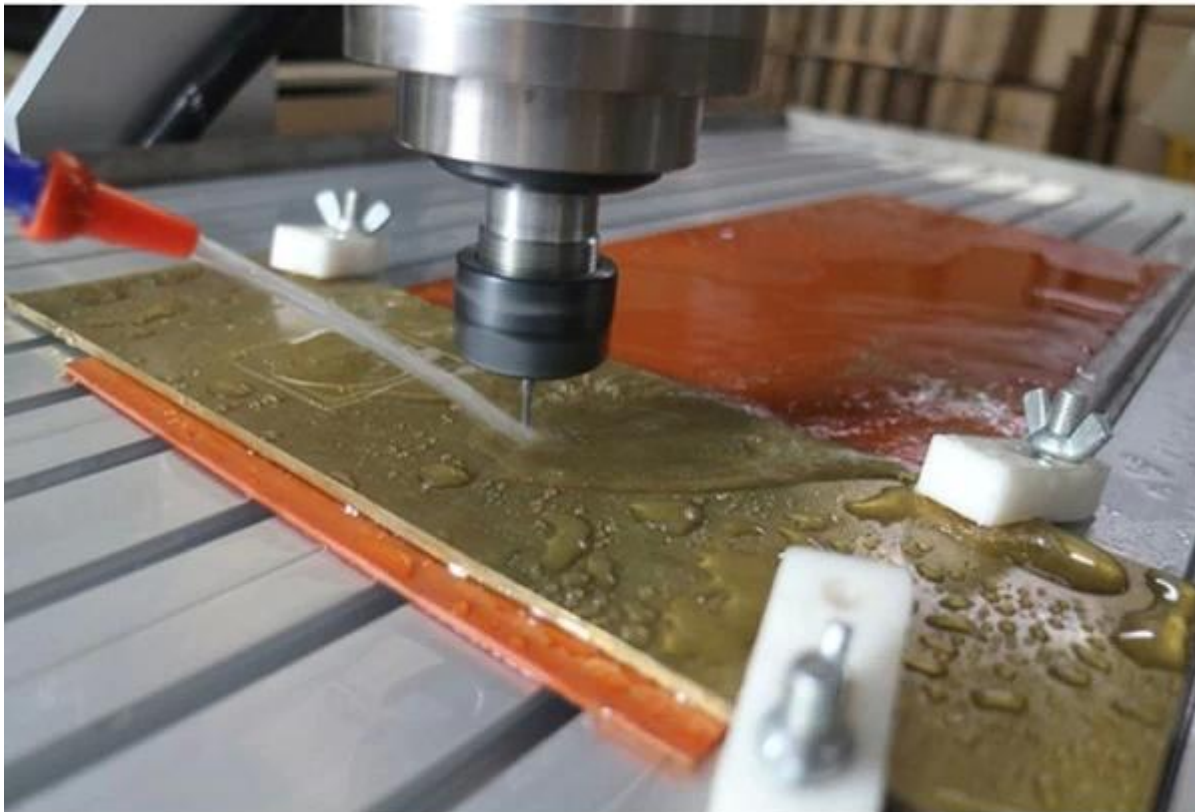
Why add the Sink cooling system ?

It can cool the spindle and protect the machine.

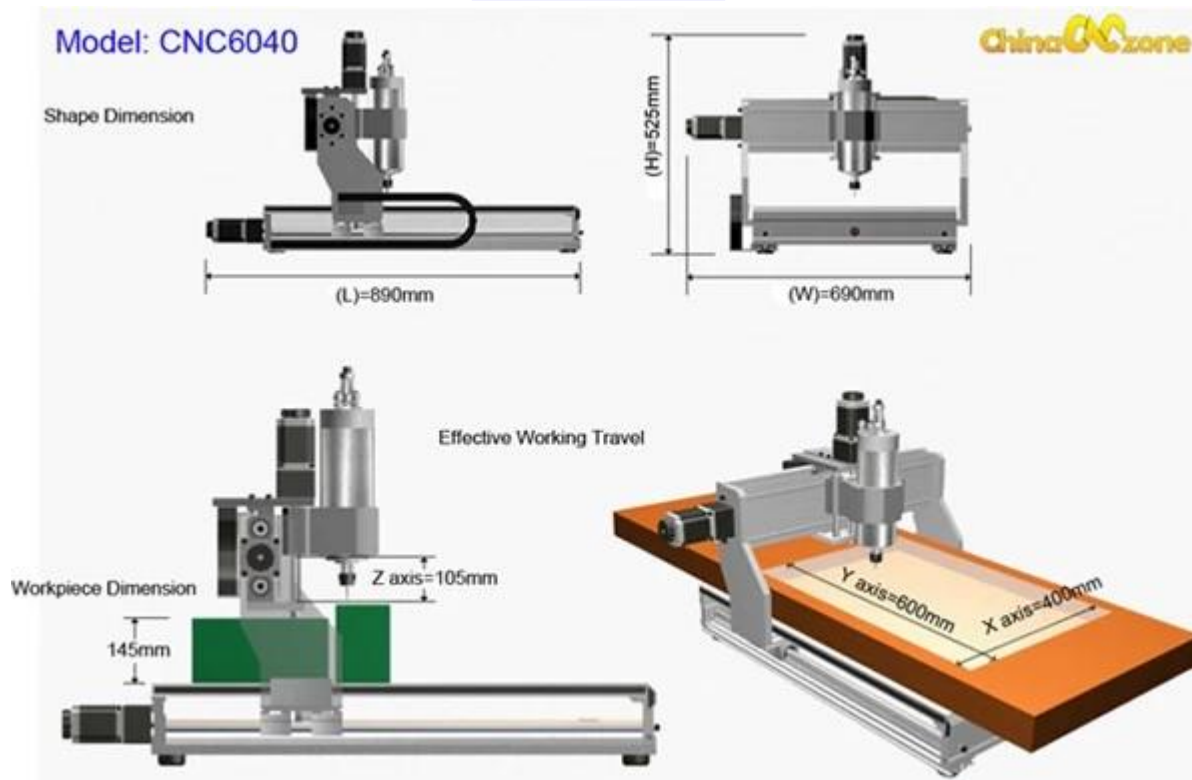
Avoid the spindle burn out when you

Can engrave the high hardness or metal

It can improve the efficiency and accuracy of the machine.



What is the dimension for this [CNC Router 6040 4 Axis](#)?



What is the new for the Z axis for this [CNC 6040 4 Axis](#)?

New Model



Old Model

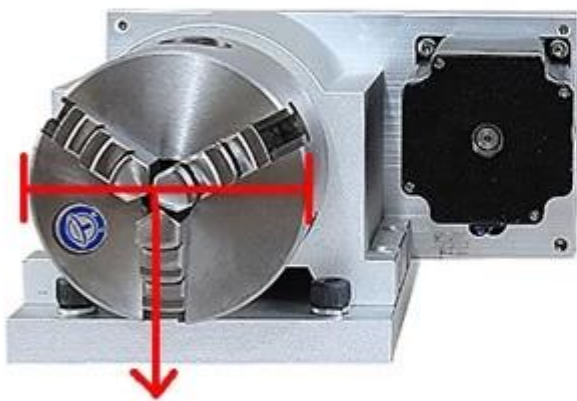


Z-axis maximum acceptable 65mm

Z-axis maximum acceptable 105mm

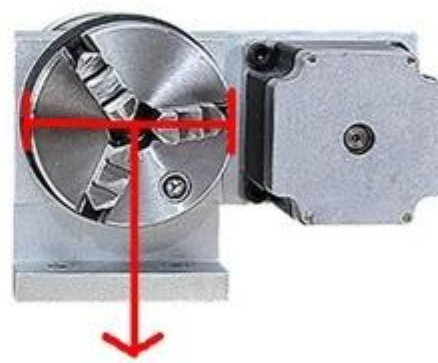
What is the new for the 4th axis of this CNC 6040 [mini cnc](#) router?

New Version

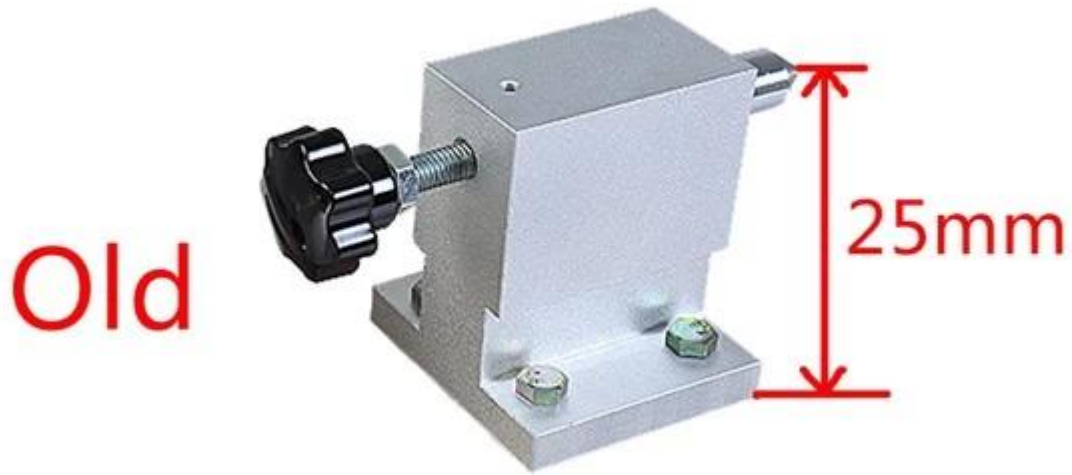
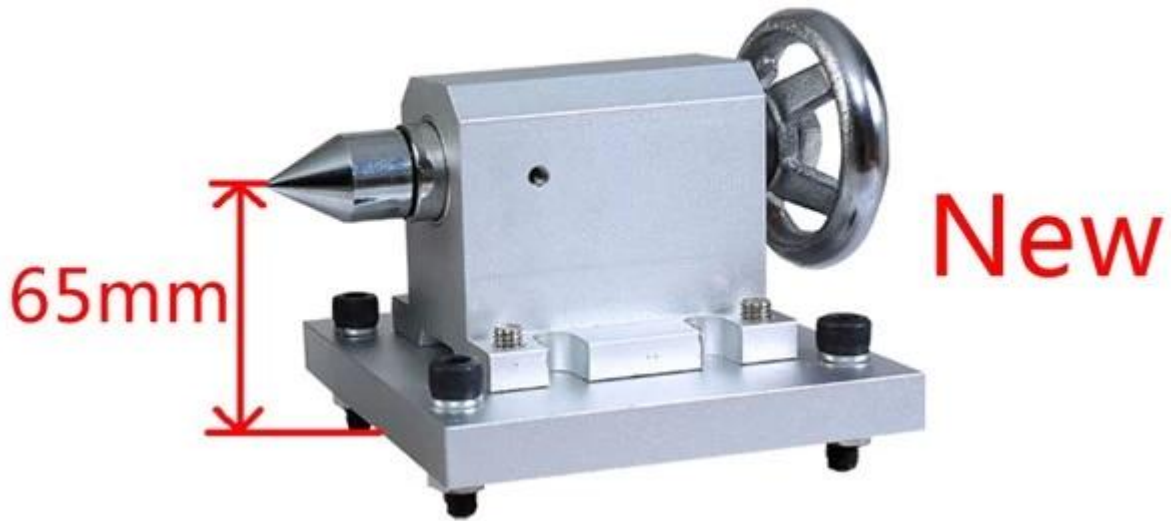


80mm

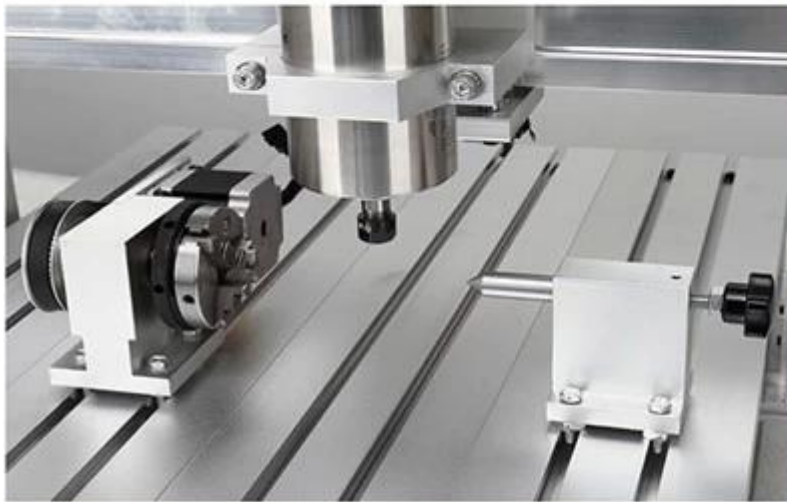
Old Version



50mm



ChinaCNCzone 4 Axis CNC Router 6040
for **Sculpture Round Carving**



Note: You may also interested in below, Just click below link::

- A. [The Outstanding Features for ChinaCNCzone MACH 3 USB CNC 6040 3 Axis 1500W 2200W](#)
- B. [The comparisons of CNC 6040 made by ChinaCNCzone and Other suppliers.](#)
- C. [What are the differences between ChinaCNCzone NEW CNC 6040 and Old Version](#)



02 Parameters China zone

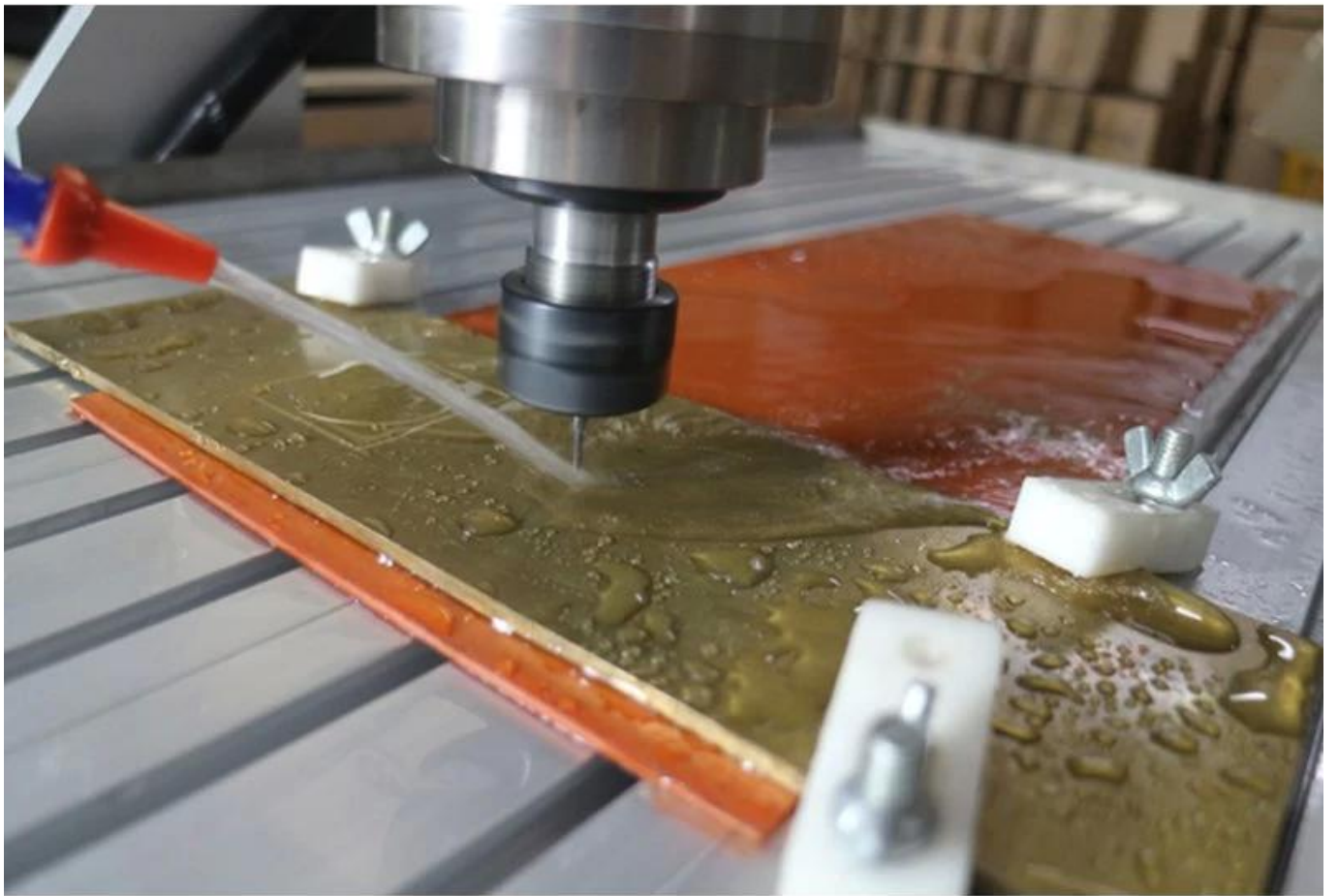
□□

This 1500W/2200W CNC 6040 4 Axis Router parameters		
Effective working travel		580(X)mm*400(Y)mm*105(Z)mm
Shape dimension		880*670*640mm
Max.workpiece dimension		750mm*450mm<150mm
Work table dimension		750mm*480mm
Frame materials		aluminum alloy 6063 and 6061 the unique and dedicated mold extrusion profiles. let counterfeiter's dwarfs
acceptable material thickness		≤145
Driving units	X axis	1605 ballscrew
	Y axis	1605 ballscrew
	Z axis	1605 ballscrew
Sliding units	X axis	Dia.16mm chrome plate shafts
	Y axis	Dia.20mm chrome plate shafts
	Z axis	Dia.13mm chrome plate shafts
Stepping motor type		57 two-phase 3A 150N.cm

Spindle motor	brand new 1.5KW water cooling spindle, 24000RPM
Principal axis collet	ER11/3.175 mm/6mm
Repeat accuracy	0.05mm
Spindle precision	radial beat acuities 0.03 mm
Carving Instructions	G code/TAB files/nc file/NCC files/DXF file/GERBER file
Communication interface	through parallel and USB connection with computer
Software environment	Windows xp/Win7/Win8/Win10
Maximum speed	0-4000mm/min
Carving speed	0-2500mm/min (different materials differ)
Control unit	Toroidal transformer + PWM power supply module + TB6560 3axis drive board
Computer connection	parallel port/USB port
Command code	G code
Acceptable software	Mach3,USBCNC
Protection	Emergency stop button
Operating Voltage	AC110V/AC220V
Machine weight (Package weight)	4 axis 85kg
package dimension	top□122*86*83









Ball screw high precision



04 Applications

ChinaCCzone

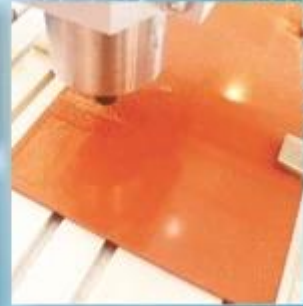
This DSP Mach3 USB 1500W/2200W CNC 6040 4 Axis Router can be widely used as below:

- A. Widely used not only for Aluminum but also acrylic, brass, wood, PVC, PCB and so on.
- B. Ideal for milling, engraving, drilling & routing.
- C. For Industry, Technology Research, Advertising Design, Arts Creation, Teaching, Student Project and Hobby Purposes, Building Model Making, Advertising Signs, Artwork, Crafts, Aircraft Models, RC Model parts



www.chinacnczone.com

Live Demo



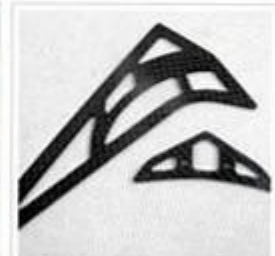
PVC



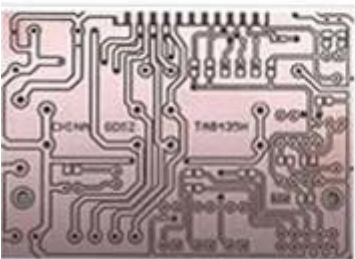
DOUBLE COLOR BOARDS



WOOD



CARBON FIBER REINFORCED PLASTICS PLATE



PCB



WAX



DOUBLE COLOR BOARDS



EPOXY TOOLING BOARD







QA Inspection Area



Mechanical Assembly Area



Machine Commissioning Area



Finish Products Area



Packaging Area



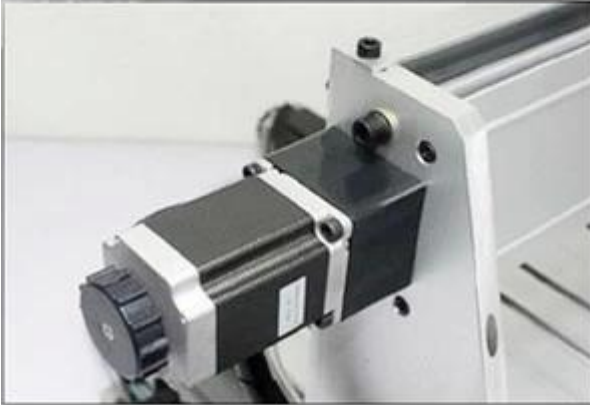
06

Certifications

China CCzone

Always be imitated, never be surmounted.

We all use well-designed professional aluminum to manufacture the machine. Almost all of the structural member are extruded by a dedicated mold. The production of large quantities so that we have a strong price competitiveness. Professional mold and materials so that our quality has been stable protection.



SHENZHEN SCOTLE TECHNOLOGY GROUP LIMITED

ChinaCNCzone, engrave your colorful life!

客户合影及公司文化 Customers and Company Culture

