

2022 newest DSP controller system steel structure jewel 5 axis cnc engraving machine

FREE TAX!!! to US,EU and RU!!!

1/ We will ship this machine to Moscow by Toanda from China, and transfer to you from Moscow by Russia local shipping company with door to door shipping way. the machine will be delivered to your home.

the delivery time is usually 20-40 days. and no tax fee by this way!

2/ Germany/ United Kingdom/ France/ Spain/ Italy/ Poland

**Austria/ Belgium/ Czech Republic/ Denmark/ Lithuania/ Bulgaria/
Estonia/Greece/ Romania/ Slovenia/ Croatia/ Luxembourg/ Finland/
Ireland/ Portugal/Sweden**

All above country buyers free tax!!! we will ship by train to Poland, and transfer to your door by EU local shipping.

Higher precision:

- Heavier steel structure
- **Offline DSP HG709D system**
- 2200w water-cooled spindle
- Ball screw
- Integrated high-speed micro computer intelligent control chip.
- **First STEEL STRUCTURE CNC3040 5axis in the Market**
- Mach 3 software, supports Win10
- Built in frequency converter and without controller box
- Applicable to steel, aluminum, brass, copper, stone, granite etc.

You can buy this machine from us without any worry:

- CE approved.
- Video support.
- English manual available.
- Mach3 software send with the machine as a CD.
- Can engrave material which hardness below 45.
- From reliable & trustable professional China CNC Router manufacturer



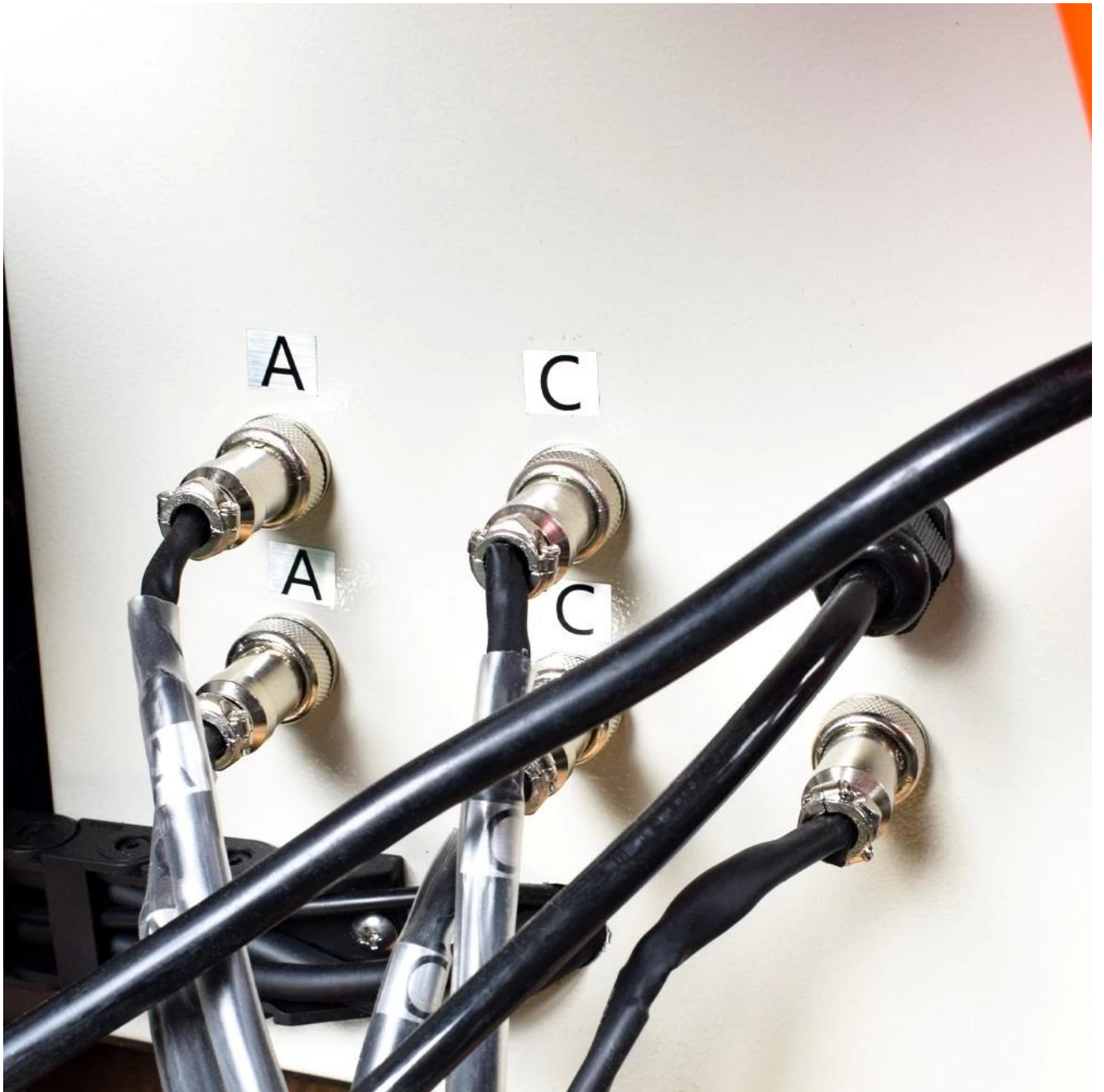




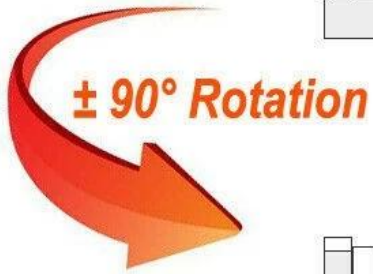
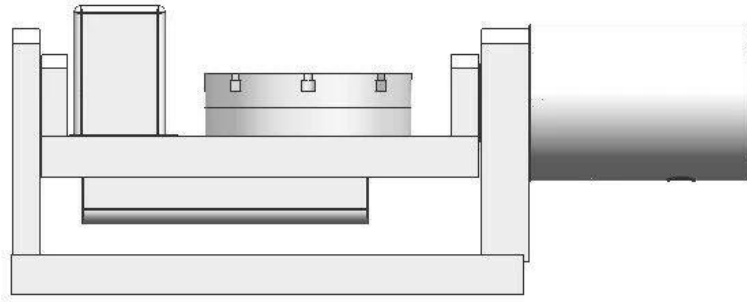




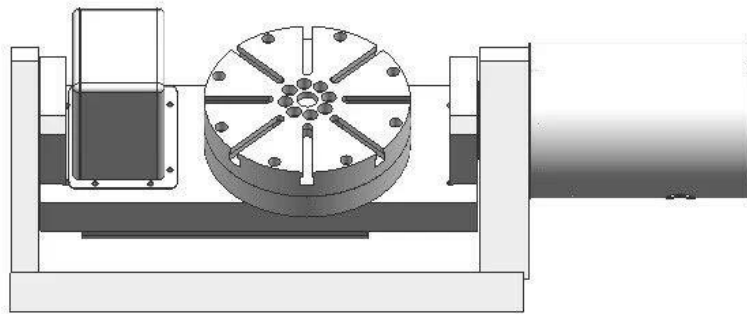




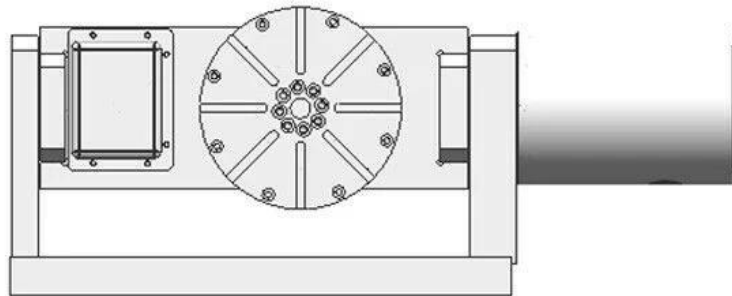




$\pm 90^\circ$ Rotation



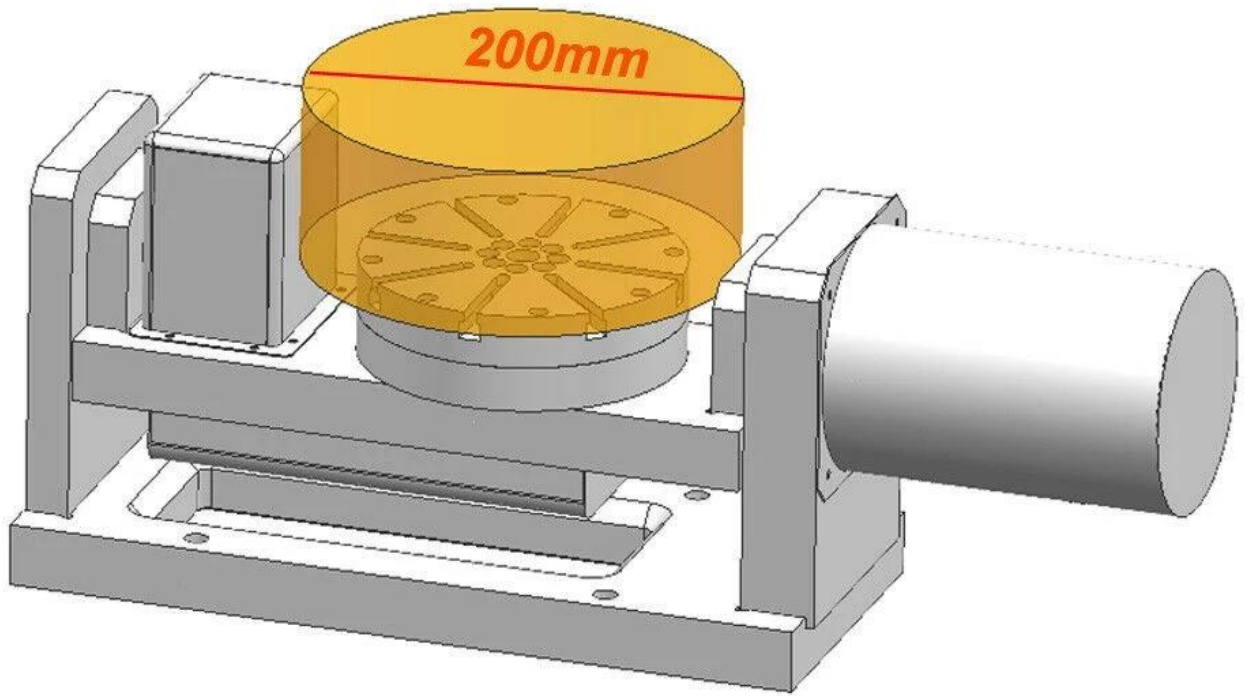
$\pm 90^\circ$ Rotation

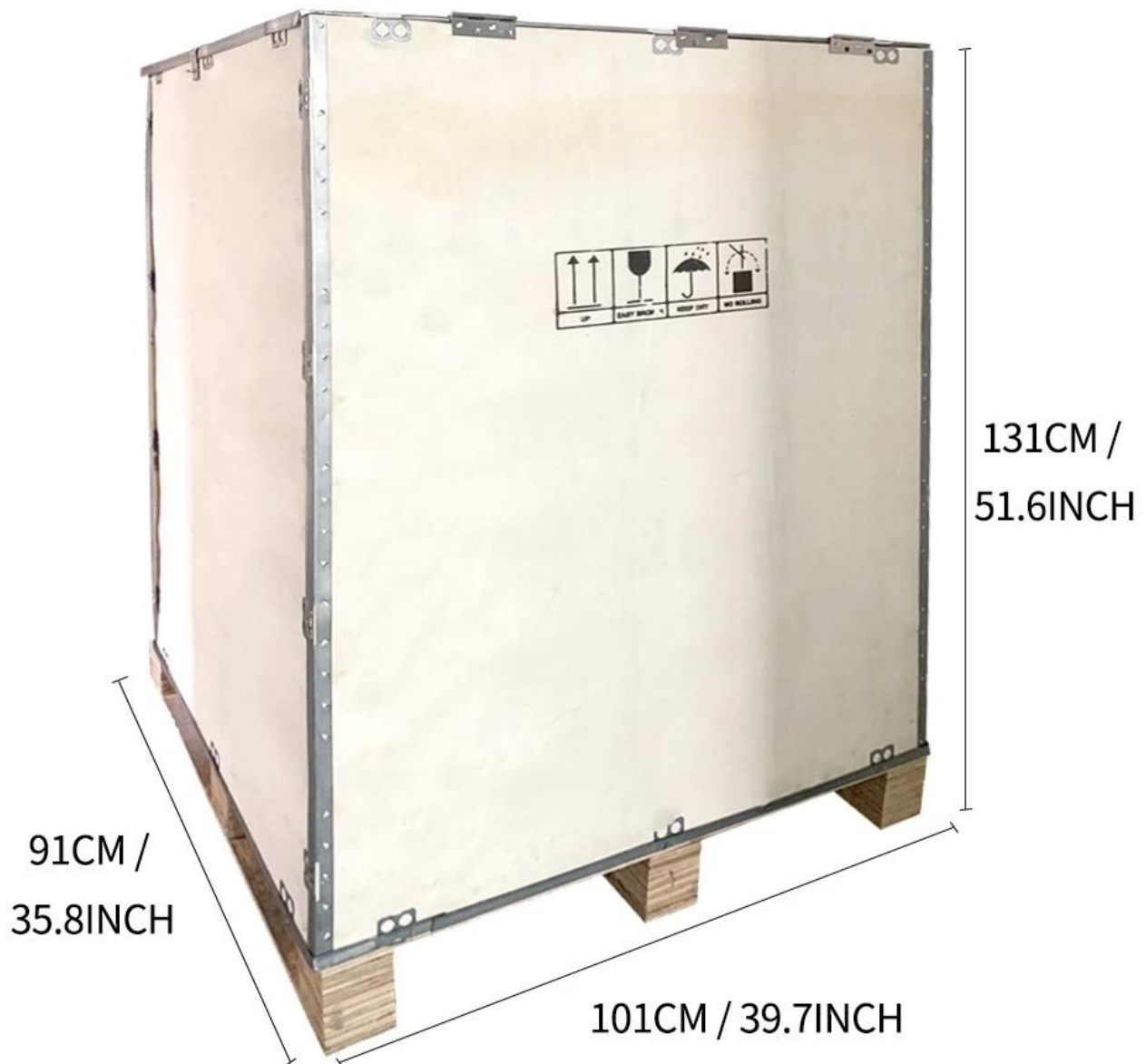


六轴运动控制卡

 A座	1: -PUL 3: -DIR 5: SGND 7: SON	2: +PUL 4: 24VOUT 6: +DIR 8: ALM	 B座	1: -PB 3: -IDX 5: INP 7: -PA	2: +PB 4: SRST 6: +IDX 8: +PA	Axis5 A座	Axis5 B座	Axis4 A座	Axis4 B座
Axis3 A座	Axis3 B座	Axis2 A座	Axis2 B座	Axis1 A座	Axis1 B座	Axis0 A座	Axis0 B座		







Q&A:

1/ It is said that 5 axis programming is complicated, what can I do if I don't know how to program 5 axis code?

We have experienced 5 axis technician to help you with designing. We offer paid service for 5 axis programming

2/ What is the accuracy of this machine?

0.02-0.05mm

3/ What is the maximum piece the machine can process?

3axis: 300*400*400mm; 5axis : 200*200*200mm

4/ If i bought this machine, where could I learn the software?

We offer mach3 and NX/UG post processor

5/ What kind of servicedo you provide?

We offer remote control service during China work time

After-sales service process :

1/ After-sales service contains:

- a. Machine installation and adjustment
- b. Software Settings and using (not include G codeprogramming)
- c. Machine quality problem
- d. the machine using problem

2/ When the machine have problem:

- a. Machine problem pictures or video is asked.
- b. General problem solve way will be supplied in 1~2 days,
Complex problem solve way will be suppliedin 2~3 days.

3/ General problem solve way: (Machine warranty is 1 year, Cutters don'thave warranty, they are consumables)

- a. Machine operation and installation problem, we will supplyvideo or pictures to show you.
- b. Machine quality problem, machine parts will be resent free

Company Information

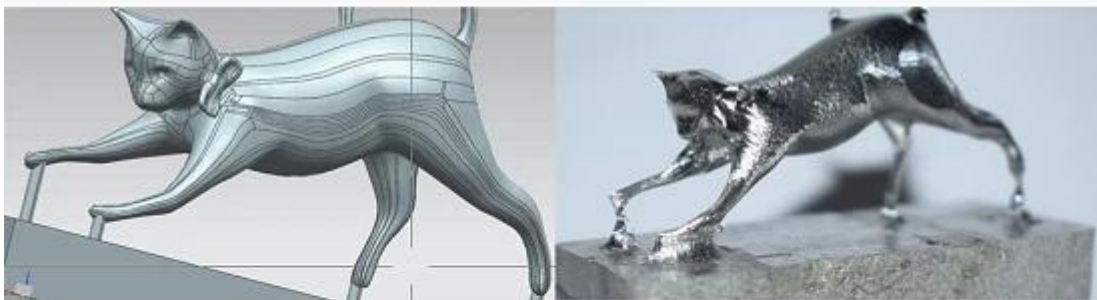
Machine model: Steel structure 3040 5axis



Material: Metal lead

Rough process: End mill: $\phi 6$, RPM:12000, Feed:1200mmpm, Zaxis each time cut:0.3mm

Milling process: Ball mill: R2, RPM:12000, Feed:2000mmpm, Zaxis each time cut:0.05mm



3D model

Finished work



Making sample for buyer
material: Copper
Time: 2 hours

Update NEW MODEL:

- ☆ **DSP controler**
- ☆ **XYIZI/AC AXIS Servo motor**
- ☆ First steel 5 axis CNC
- ☆ Work with steel, aluminum, copper
- ☆ Weight about 320KG+

Steel structure 5 AXIS CNC





Drawing Size : 32.00mm

SAMPLE DETAILS

Machine:

Steel structure 5axis

Test accuracy: 0.03 - 0.05mm

Material: Jade

Hardness: 4HR



Test acuracy:32.05mm



Our engineer team



Mr. Huang (Software engineer)

Education: Undergraduate Student
Major: Software design
6 years Industry experience



Mr. Li (Electrical engineer)

Education: Undergraduate Student
Major: Electrical Engineering
8 years Industry experience



Mr. Long (Construction engineer)

Education: Junior college
Major: Appearance design
4 years Industry experience



Mr. Zhu (Technical director)

Education: Graduate student
Major: Software & Electrical design
12 years Industry experience

Company culture

SHENZHEN SCOTLE TECHNOLOGY GROUP LIMITED

ChinaCNCzone, engrave your colorful life!

客户合影及公司文化 Customers and Company Culture



Our factory



Exhibition moment



Offline DSP HG709D system